

ZURICH

06-4301P
BATHROOM FAUCET

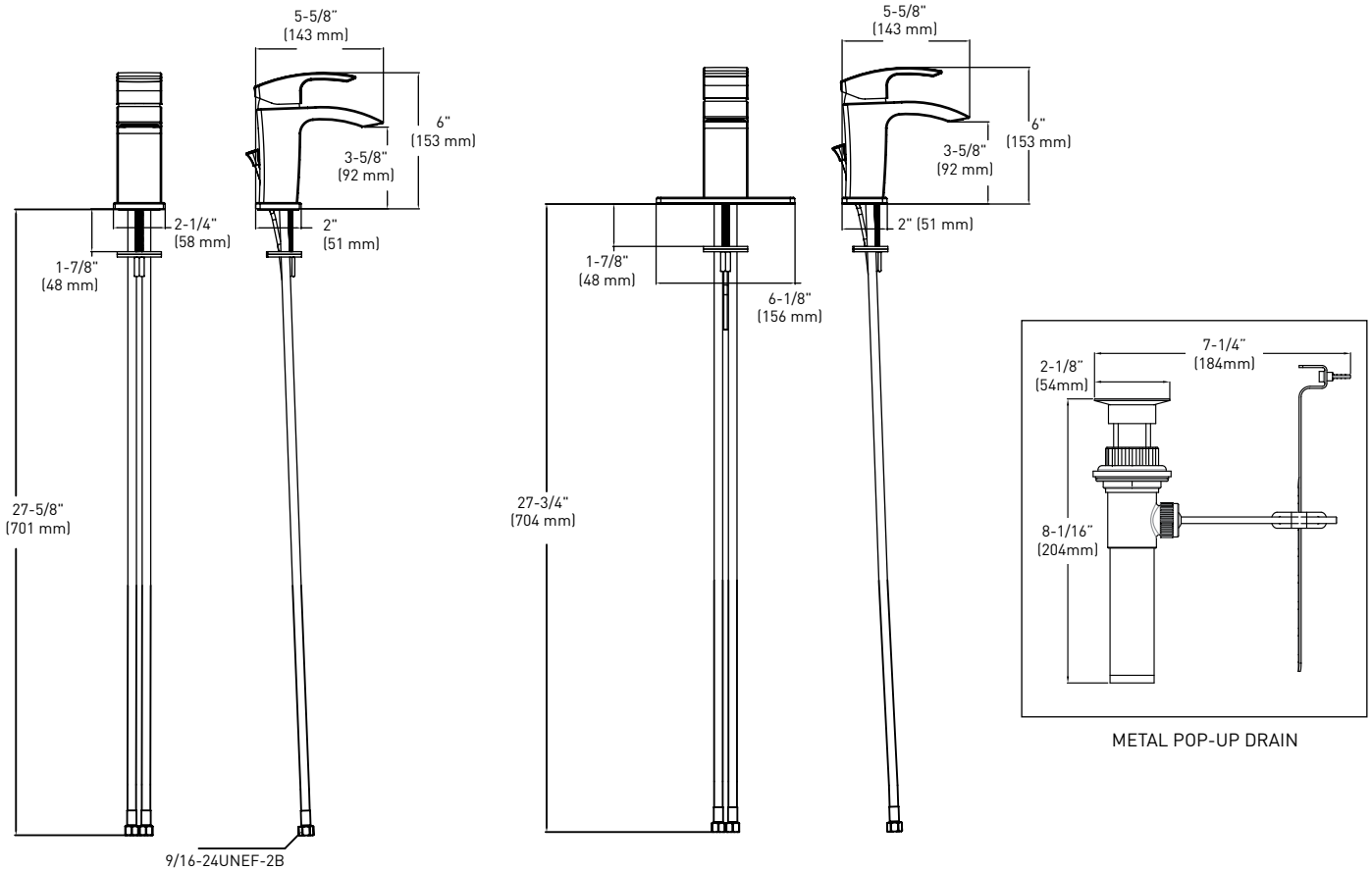


WITH ESCUTCHEON

FEATURES

- SINGLE LEVER
 - AVAILABLE IN POLISHED CHROME
 - SINGLE HOLE MOUNT WITH OPTIONAL ESCUTCHEON FOR 4" CENTER-SET MOUNT
 - CERAMIC CARTRIDGE
 - POP-UP DRAIN ASSEMBLY AND FLEXIBLE SUPPLY LINES INCLUDED
 - NON-RESTRICTED FLOW
 - SOLID BRASS VALVE BODY
 - FACTORY PRESSURE TESTED
-
- cUPC Certified / WaterSense® CERTIFIED

CRITICAL DIMENSIONS NOT TO SCALE



CONSTRUCTION

- METAL CONSTRUCTION WITH POLISHED CHROME FINISH
- BRASS VALVE BODY

MOUNTING

- DESIGNED TO INSTALL THROUGH 1 HOLE, 1-1/8" (28.1 mm) MIN. DIA. ON DECKS UP TO 1-5/8" (40.8 mm)
- OPTIONAL ESCUTCHEON INCLUDED TO INSTALL THROUGH 3 HOLES WITH 4" (101.6 mm) CENTER-SET MOUNT

INLET

- 30" BRAIDED FLEXIBLE SUPPLY LINES WITH 3/8" (10mm) COMPRESSION GASKET FITTINGS

OPERATION

- PIVOT ACTION LEVER STYLE HANDLE
- OPERATES WITH LESS THAN 5 LBS. OF FORCE

WATER-CONTROL MECHANISM

- CERAMIC CARTRIDGE

FLOW

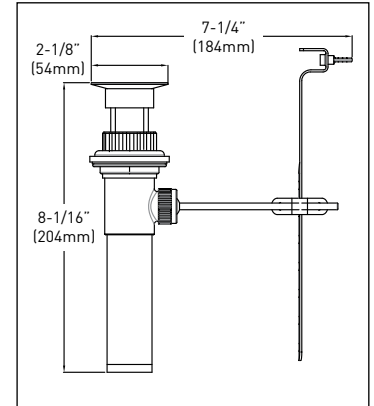
- NON-RESTRICTED FLOW

CODES/STANDARDS APPLICABLE

- cUPC
- ASME A112.18.1/CSA B125.1
- ANSI/NSF 372
- LOW LEAD COMPLIANT

GUARANTEE

- LIMITED LIFETIME GUARANTEE AGAINST DEFECTS IN MATERIAL AND WORKMANSHIP TO ORIGINAL CONSUMER PURCHASER
- 5 YEAR WARRANTY IF USED IN INDUSTRIAL, COMMERCIAL AND BUSINESS INSTALLATIONS



METAL POP-UP DRAIN



DESCRIPTION	POLISHED CHROME	CASE QTY.
SINGLE LEVER, SINGLE HOLE MOUNT BATHROOM FAUCET WITH OPTIONAL ESCUTCHEON	06-4301P	6

