

Taymor® | PRODUCT SPECIFICATIONS

1948 ROUND

FEATURES

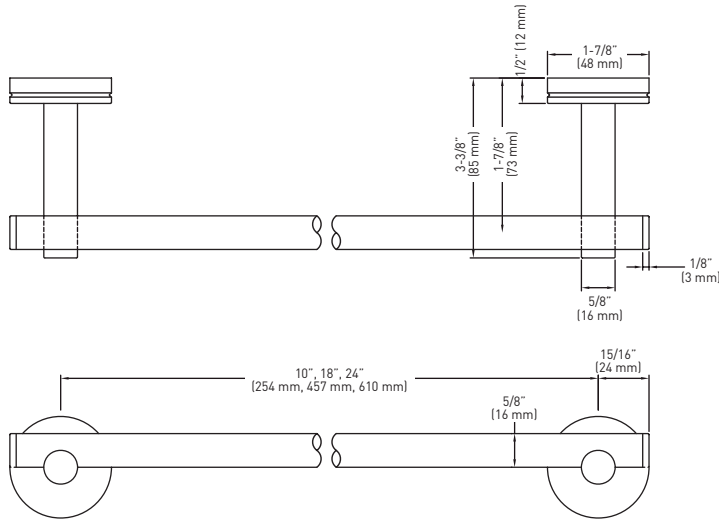
- › APPLICATION: SINGLE-FAMILY RESIDENTIAL BUILDINGS, MULTI-FAMILY RESIDENTIAL BUILDINGS
- › INCLUDES SOLID ZINC DIE CAST MOUNTING PLATES: 1-1/8" x 1-1/8" [29 mm x 29 mm]; NYLON ANCHORS AND STEEL PHILLIPS HEAD SCREWS: #8 x 1-1/4" [32 mm]
- › ALL BRASS - 1 PIECE



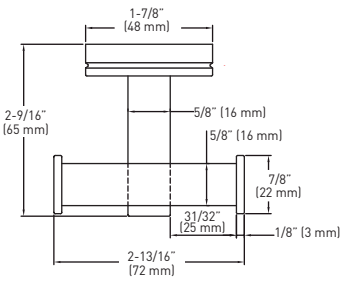
LIMITED LIFETIME WARRANTY



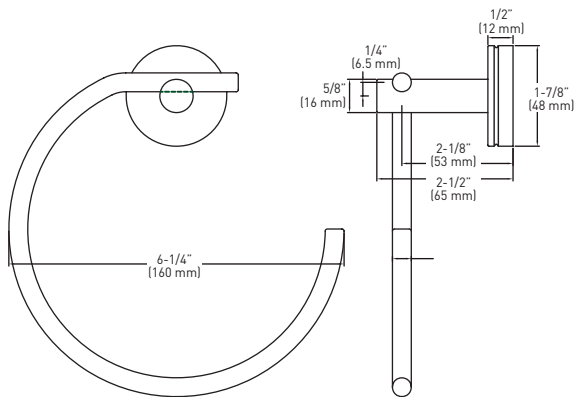
TOWEL BAR



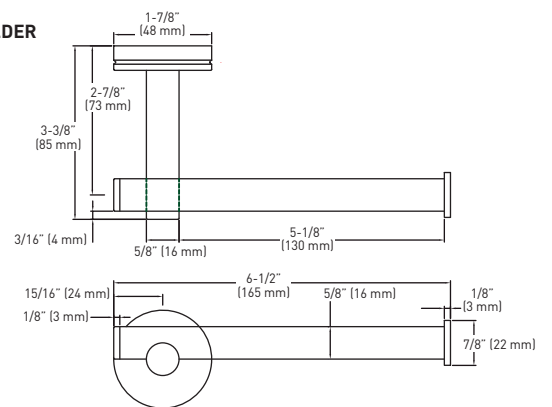
DOUBLE ROBE HOOK



TOWEL RING



PAPER HOLDER



MEASUREMENTS SUBJECT TO A 3% VARIANCE.

BUILDER PACK	MATTE BLACK 19	POLISHED CHROME 26	MATERIAL	CASE PACK
10" HAND TOWEL BAR	04-32710BLK	04-32710	BRASS	10
18" TOWEL BAR	04-32718BLK	04-32718	BRASS	10
24" TOWEL BAR	04-32724BLK	04-32724	BRASS	10
DOUBLE ROBE HOOK	04-32702BLK	04-32702	BRASS	10
TOWEL RING	04-32704BLK	04-32704	BRASS	10
PAPER HOLDER	04-32748BLK	04-32748	BRASS	10

