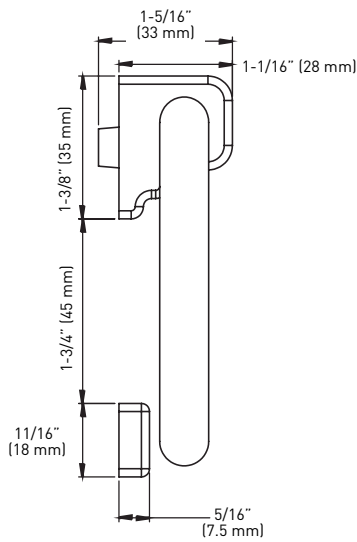


FEATURES

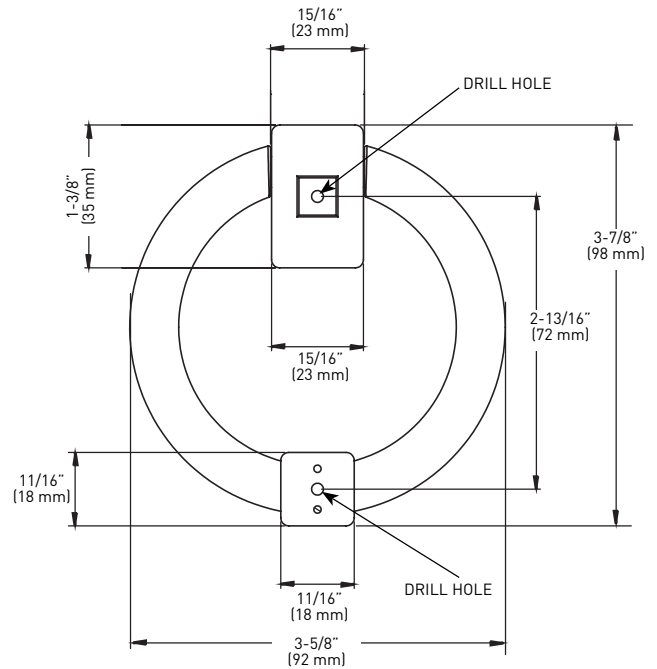
- › EASY TO INSTALL
- › WEATHER RESISTANT
- › STRIKE PLATE, MOUNTING HARDWARE AND TEMPLATE INCLUDED



SIDE VIEW



BACK VIEW



MEASUREMENTS ARE FOR REFERENCE ONLY. TAYMOR RESERVES THE RIGHT TO CHANGE THE PRODUCT SPECS WITHOUT NOTICE. FOR PRODUCT WARRANTY, PLEASE VISIT TAYMOR WEBSITE FOR DETAILS.

DESCRIPTION CARDED	POLISHED BRASS	SATIN NICKEL	MATTE BLACK	CASE
	3	15	19	QTY.
ROUND DOOR KNOCKER 3-5/8" W x 3-7/8" H x 1-5/16" D [92 mm W x 98 mm H x 33 mm D]	25-D5010PB	25-D5010SN	25-D5010BLK	48