

Taymor® | PRODUCT SPECIFICATIONS

Premier

CATANA
PREMIER SERIES
LEVERSET

SPECIFICATIONS

- › INTERIOR LOCK SOLUTION FOR SINGLE AND MULTI-FAMILY RESIDENTIAL BUILDINGS
- › UNIVERSAL 6-IN-1 LATCH: DRIVE IN, SQUARE MORTISE AND RADIUS CORNER WITH ADJUSTABLE BACKSET: 2-3/8" (60 mm) – 2-3/4" (70 mm)
- › STANDARD BORE HOLES: 2-1/8" (54 mm)
- › FITS STANDARD DOOR THICKNESS: 1-3/8" (35 mm) – 1-3/4" (45 mm)
- › FULL LIP RADIUS CORNER STRIKE WITH ADJUSTABLE TAB STANDARD: 1-3/4" x 2-1/4" (45 mm x 57 mm)
- › PATENT PENDING DESIGN

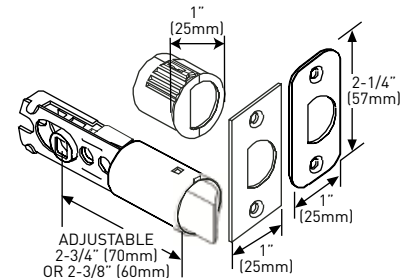
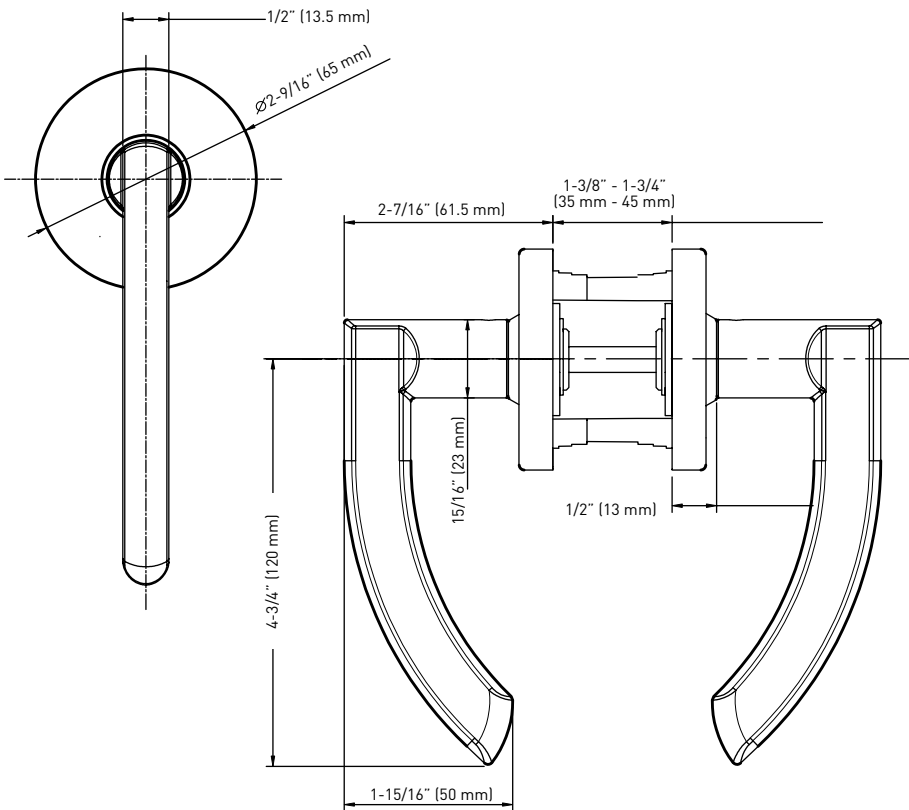


GRADE
3

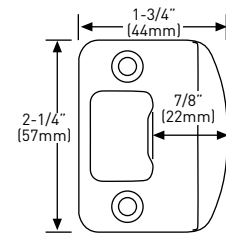
ANSI GRADE 3



LIMITED LIFETIME MECHANICAL & FINISH WARRANTY



6-IN-1 PRIVACY/PASSAGE LATCH



FULL LIP RADIUS STRIKE

MEASUREMENTS SUBJECT TO A 3% VARIANCE

MEASUREMENTS ARE FOR REFERENCE ONLY. TAYMOR RESERVES THE RIGHT TO CHANGE THE PRODUCT SPECS WITHOUT NOTICE. FOR PRODUCT WARRANTY, PLEASE VISIT TAYMOR WEBSITE FOR DETAILS www.taymor.com

BUILDER PACK	SATIN NICKEL 15	POLISHED CHROME 26	CASE QTY
Privacy	30-D006624SN	30-D006624PC	20
Passage	30-D006634SN	30-D006634PC	20
Inside trim	30-HL0066SN	30-HL0066PC	20
Dummy	30-664SN	30-664PC	20

