

# Taymor® | PRODUCT SPECIFICATIONS

THE  
PREMIER  
LINE

CATANA  
PREMIER SERIES  
LEVERSET

## SPECIFICATIONS

- › INTERIOR LOCK SOLUTION FOR SINGLE AND MULTI-FAMILY RESIDENTIAL BUILDINGS
- › UNIVERSAL 6-IN-1 LATCH: DRIVE IN, SQUARE MORTISE AND RADIUS CORNER WITH ADJUSTABLE BACKSET: 2-3/8" (60 mm) – 2-3/4" (70 mm)
- › STANDARD BORE HOLES: 2-1/8" (54 mm)
- › FITS STANDARD DOOR THICKNESS: 1-3/8" (35 mm) – 1-3/4" (45 mm)
- › FULL LIP RADIUS CORNER STRIKE WITH ADJUSTABLE TAB STANDARD: 1-3/4" x 2-1/4" (45 mm x 57 mm)
- › PUSH BUTTON AUTO-RELEASE ON PRIVACY FUNCTION

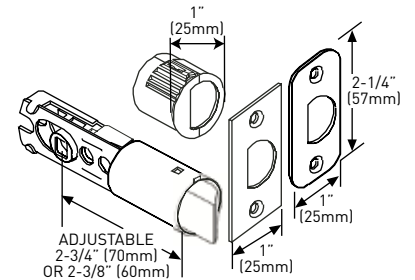
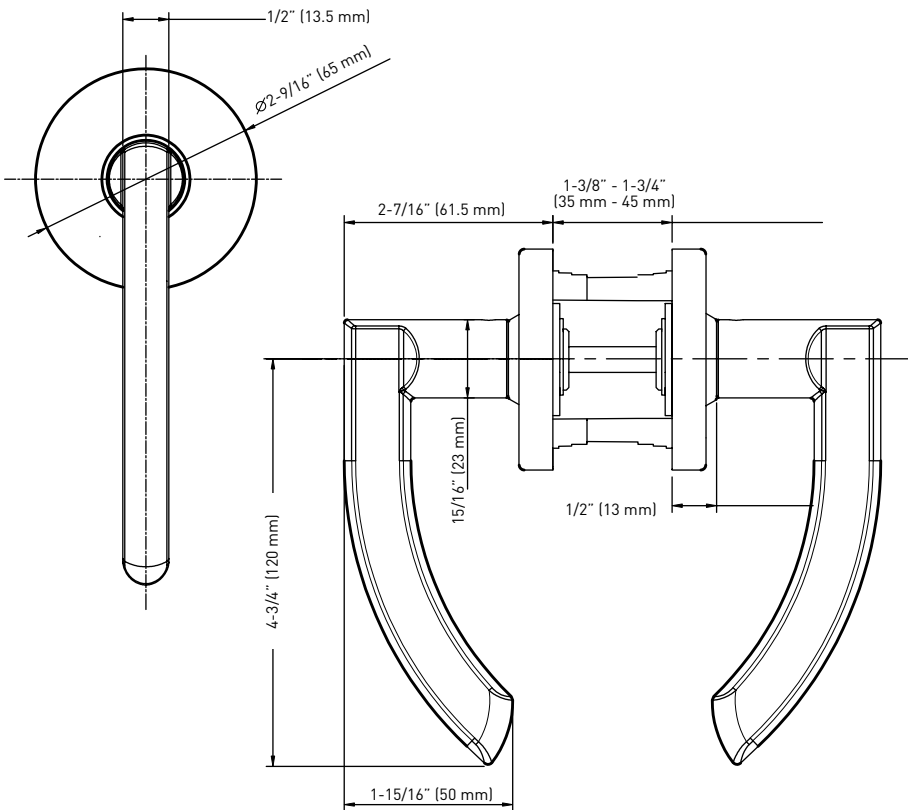


GRADE  
**3**

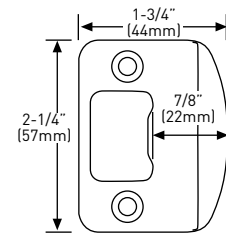
ANSI GRADE 3



LIMITED LIFETIME MECHANICAL & FINISH WARRANTY



6-IN-1 PRIVACY/PASSAGE LATCH



FULL LIP RADIUS STRIKE

MEASUREMENTS SUBJECT TO A 3% VARIANCE

MEASUREMENTS ARE FOR REFERENCE ONLY. TAYMOR RESERVES THE RIGHT TO CHANGE THE PRODUCT SPECS WITHOUT NOTICE. FOR PRODUCT WARRANTY, PLEASE VISIT TAYMOR WEBSITE FOR DETAILS [www.taymor.com](http://www.taymor.com)

BUILDER PACK	SATIN NICKEL 15	POLISHED CHROME 26	CASE QTY
Privacy	30-D006624SN	30-D006624PC	20
Passage	30-D006634SN	30-D006634PC	20
Inside trim	30-HL0066SN	30-HL0066PC	20
Dummy	30-664SN	30-664PC	20

