

HAMPTON

PROFESSIONAL SERIES® LEVERSET



HAMPTON
LEVERSET

GRADE
3

ANSI GRADE 3



FIRE RATING AVAILABLE

Optional 20 minute fire rating. A fire can must be ordered in conjunction with lockset.



FULL KEYING SERVICES AVAILABLE

WR5 keyway, packaged in Keyed Different (KD) or Keyed Alike (KA).

SPECIFICATIONS

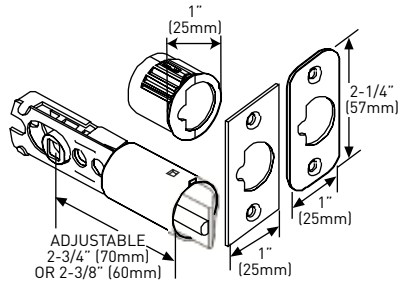
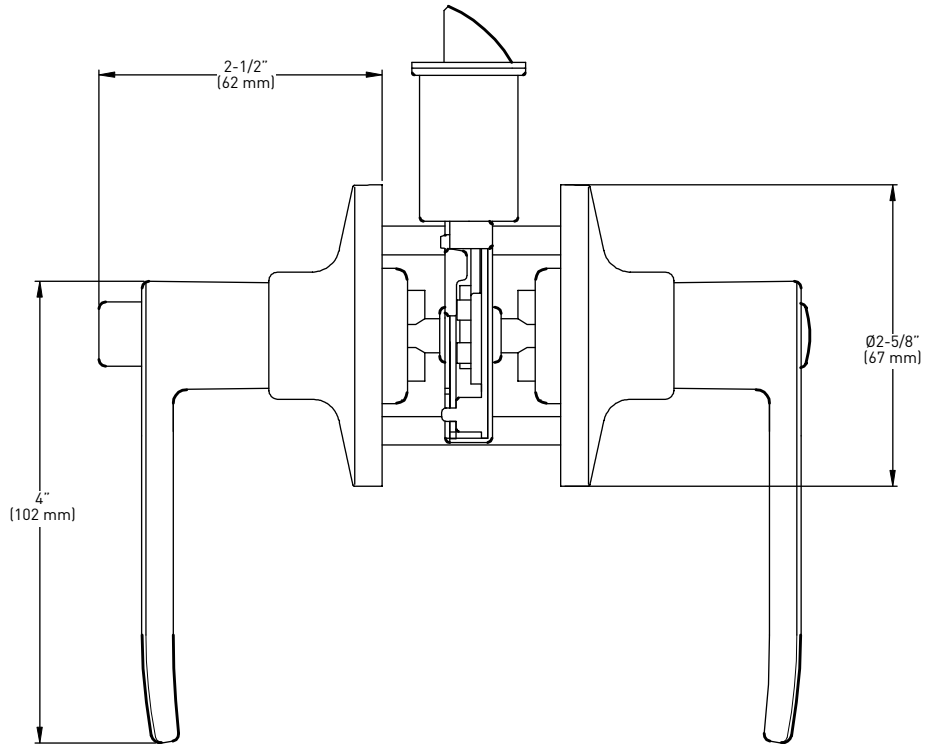
- > PUSH BUTTON AUTO-RELEASE ON PRIVACY AND KEYED ENTRY FUNCTION
- > FULLY REVERSIBLE
- > UNIVERSAL 6-IN-1 LATCH
- > ANTI-PRY SHIELD
- > 45° LATCH RETRACTION
- > INCLUDES 1-3/4" X 2-1/4" FULL LIP RADIUS CORNER "D" STRIKE STANDARD
- > FITS STANDARD DOORS
- > LIFETIME MECHANICAL WARRANTY
- > 5 YEAR FINISH WARRANTY

OPTIONS

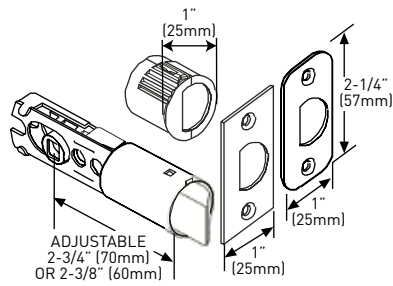
- > LOCKS MAY BE ORDERED WITH SPECIALTY LATCHES AND/OR STRIKES
SEE PARTS & ACCESSORIES SHEET

HAMPTON

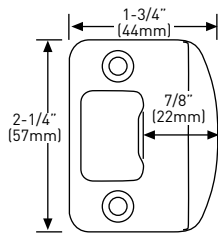
BUILDER PACK	ENTRY - KA	PRIVACY	PASSAGE	INSIDE TRIM	DUMMY
POLISHED BRASS 3	33-D7164AR	33-D7124AR	33-D7134	—	33-714
SATIN CHROME 26D	33-D7664AR	33-D7624AR	33-D7634	33-HL76	33-764
SATIN STAINLESS STEEL 32D	33-D7464AR	33-D7424AR	33-D7434	33-HL73	33-744
CASE QTY. 20					
RETAIL PACK					
SATIN CHROME 26D	34-FV7664AR	34-FV7624AR	34-FV7634	—	—
CASE QTY. 4					



6-IN-1 ENTRY LATCH



6-IN-1 PRIVACY/PASSAGE LATCH



FULL LIP RADIUS STRIKE

