

**YATES**  
**20400 SERIES**  
BATHWARE

**Taymor**



**AVAILABLE  
FINISHES**

POLISHED CHROME  
C26



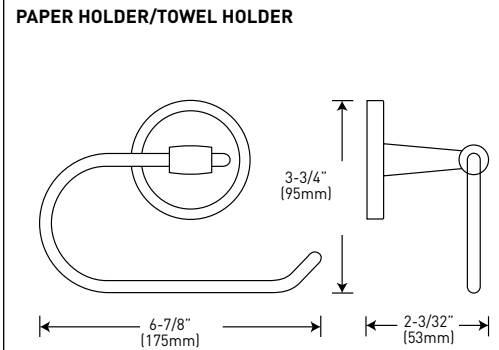
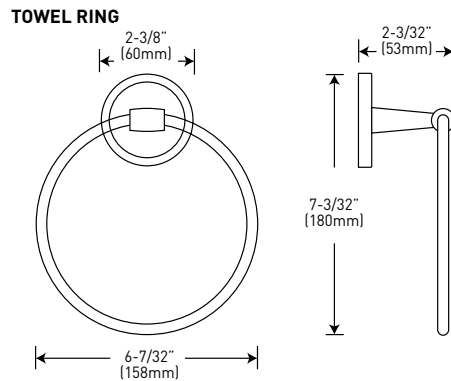
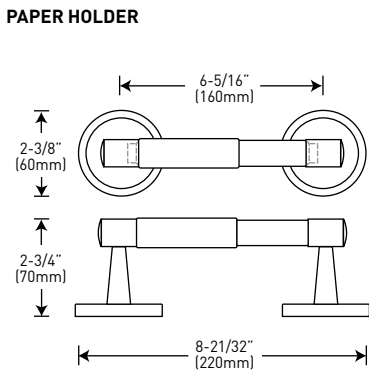
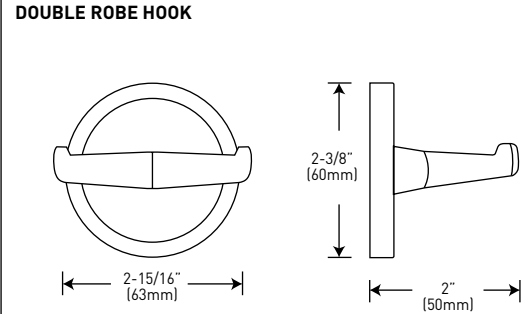
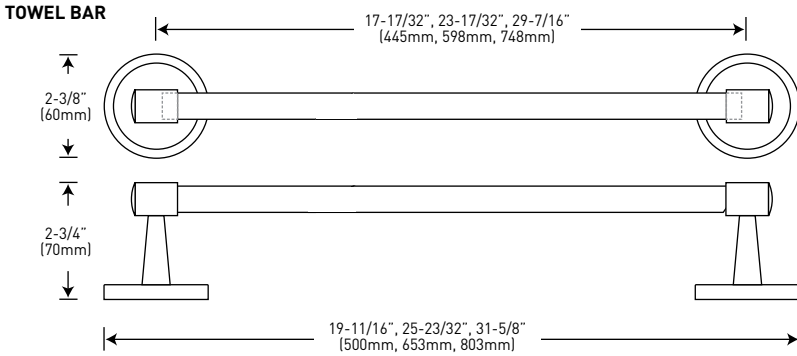
**FEATURES**

- CONCEALED SURFACE MOUNT
- LIFETIME WARRANTY
- MOUNTING HARDWARE AND INSTALLATION INSTRUCTIONS INCLUDED

CONSTRUCTION: ZAMAC (DIECAST ZINC ALLOY)

INCLUDES MOUNTING PLATES — 1-13/16" [46mm] x 1-3/16" [30mm]; NYLON ANCHORS AND STEEL PHILLIPS HEAD SCREWS — #8 x 1-1/4" [32mm]

		TOWEL BAR TUBE SIZE	TOWEL BAR TUBE MATERIAL	TOWEL RING TUBE MATERIAL	STANDARD PAPER HOLDER ROLLER MATERIAL	PAPER HOLDER/ TOWEL HOLDER MATERIAL
C26	POLISHED CHROME	5/8" [16mm]	STEEL	STEEL	PLASTIC	STEEL



MEASUREMENTS SUBJECT TO A 3% VARIANCE.

PHOTO	DESCRIPTION	POLISHED CHROME C26	CASE PACK
	18" x 5/8" TOWEL BAR 24" x 5/8" TOWEL BAR	02-D20418 02-D20424	4 4
	DOUBLE ROBE HOOK	02-D20402	4
	TOWEL RING	02-D20404	4
	STANDARD PAPER HOLDER	02-D20408	4
	PAPER HOLDER/TOWEL HOLDER	02-D20448	4