

SPECIFICATIONS

- ▶ HARDENED "CUT-PROOF" STEEL PIN
- ▶ 6-IN-1 LATCH
- ▶ LIMITED LIFETIME MECHANICAL WARRANTY
- ▶ 5 YEAR FINISH WARRANTY

SPECIFICATIONS - KEYED ONLY

- ▶ TWO PIECE ANTI-TORQUE CYLINDER
- ▶ TWO 3" STRIKE SCREWS FOR INCREASED SECURITY
- ▶ HIGH SECURITY STRIKE STANDARD
- ▶ SOLID BRASS CYLINDER
- ▶ ANTI-SLIP COLLAR (REMOVABLE FOR 1-1/2" BORE HOLES)

OPTIONS - SINGLE & DOUBLE DEADBOLTS

- ▶ MAY BE ORDERED WITH 2-WAY ADJUSTABLE SQUARE MORTISE OR RADIUS CORNER LATCHES
- ▶ MAY BE ORDERED WITH 6-PIN WR6 OR SC4 COMPATIBLE KEYWAYS



SINGLE CYLINDER DEADBOLT



INTERIOR DEADBOLT

GRADE
3

ANSI GRADE 3



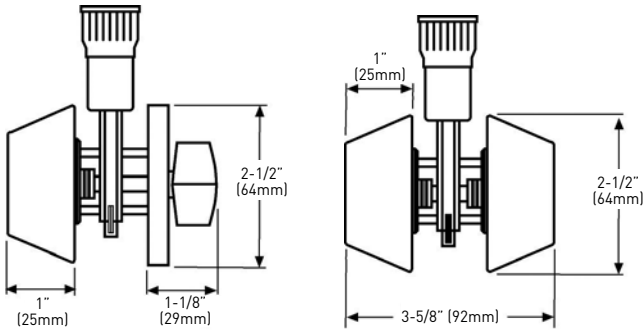
KEYING SERVICES AVAILABLE

WR5 keyway, Retail Pack is Keyed Different; Combo Set and Builder Pack are Keyed Alike.



FIRE RATING AVAILABLE

Optional 20-minute fire rating. A fire can must be ordered in conjunction with a deadbolt. Deadbolt must be installed in a 2-1/8" bore hole. May also be ordered with a cUL/UL approved 3-hour fire rated square mortise latch.



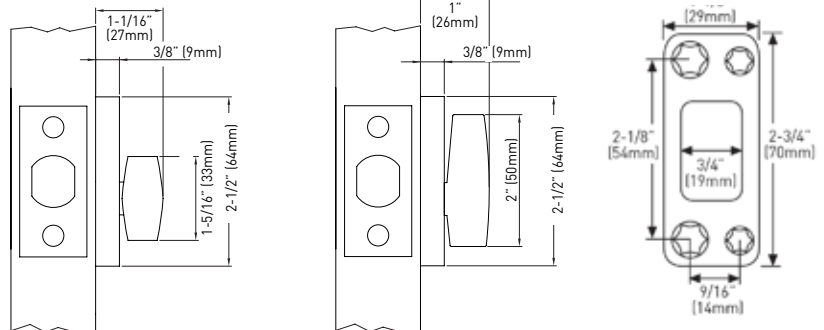
SINGLE CYLINDER DEADBOLT

DOUBLE CYLINDER DEADBOLT

SINGLE SIDED INTERIOR DEADBOLT

INSIDE TRIM DEADBOLT

HIGH SECURITY STRIKE



TWIST ADJUSTABLE
2-3/4" (70mm)
OR 2-3/8" (60mm)

MEASUREMENTS SUBJECT TO A 3% VARIANCE
MEASUREMENTS ARE FOR REFERENCE ONLY. TAYMOR RESERVES THE RIGHT TO CHANGE THE PRODUCT SPECS WITHOUT NOTICE.
FOR PRODUCT WARRANTY, PLEASE VISIT TAYMOR WEBSITE FOR DETAILS

| RETAIL PACK | PROFESSIONAL SERIES® SINGLE CYLINDER DEADBOLT - KD / WR5 | | PROFESSIONAL SERIES® DOUBLE CYLINDER DEADBOLT - KD / WR5 | |
|---------------------------|----------------------------------------------------------------|--------------------|----------------------------------------------------------------|------------------|
| POLISHED BRASS 3 | 34-FV416 | | — | |
| AGED BRONZE 10B+ | 34-FV476 | | — | |
| SATIN NICKEL 15 | 34-FV406 | | 34-FV407 | |
| ANTIQUE NICKEL 17A | 34-FV486 | | — | |
| MATTE BLACK 19 | 34-FV416BLK | | — | |
| SATIN CHROME 26D | 34-FV496 | | — | |
| SATIN STAINLESS STEEL 32D | 34-FV436 | | 34-FV437 | |
| CASE QTY. 4 | | | | |
| BUILDER PACK | A* - KA/SINGLE WR5 | B* - KA/SINGLE SC4 | C* - INTERIOR DEADBOLT | D* - INSIDE TRIM |
| POLISHED BRASS 3 | 33-D4164 | — | 33-218PB | 33-HDBPB |
| AGED BRONZE 10B+ | 33-D4764 | — | 33-218ORB | 33-HDBORB |
| SATIN NICKEL 15 | 33-D4064 | 33-D420 | 33-218SN | 33-HDBSN |
| ANTIQUE NICKEL 17A | 33-D4864 | — | 33-218AN | 33-HDBAN |
| MATTE BLACK 19 | 33-D4164BLK | — | — | 33-HDBBLK |
| POLISHED CHROME 26 | 33-D4664PC | 33-D440PC | 33-218PCH | 33-HDBPC |
| SATIN CHROME 26D | 33-D4964 | 33-D470 | 33-218SC | 33-HDBDC |
| SATIN STAINLESS STEEL 32D | 33-D4364 | 33-D450 | 33-218SS | 33-HDBSS |
| CASE QTY. | 18 | 18 | 20 | 50 |

*A = Single cylinder deadbolt WR5 - 6-in-1 latch - item is keyed alike in sets of 3 (KA3) | *B = Single cylinder deadbolt, SC4 - 6 pin - 4-in-1 latch - item is keyed alike in sets of 3 (KA3)
*C = Single sided interior deadbolt, 6-in-1 latch for use on half-bored doors only, no exterior plate | *D = Inside trim

