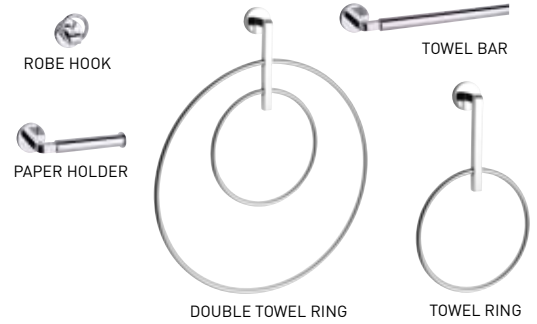


Taymor® | PRODUCT SPECIFICATIONS

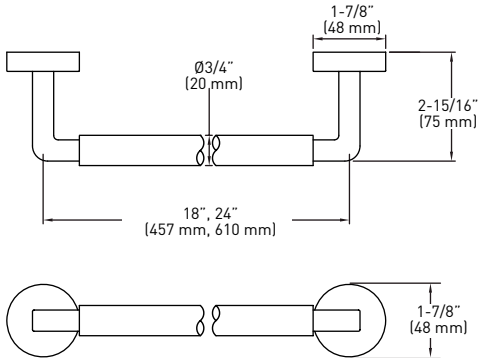
BITTER SUITE

FEATURES

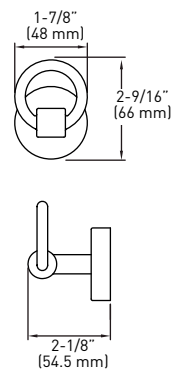
- INCLUDES SOLID ZINC DIE CAST MOUNTING PLATES: 1-11/16" x 1-3/16" [43 mm x 30 mm]; NYLON ANCHORS AND STEEL PHILLIPS HEAD SCREWS: #8 x 1-3/8" [35 mm]
- BRASS CONSTRUCTION



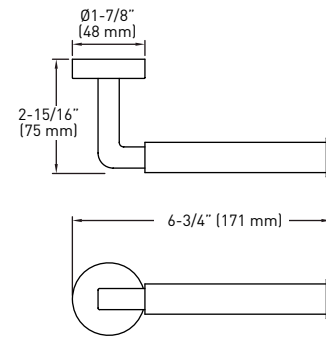
TOWEL BAR



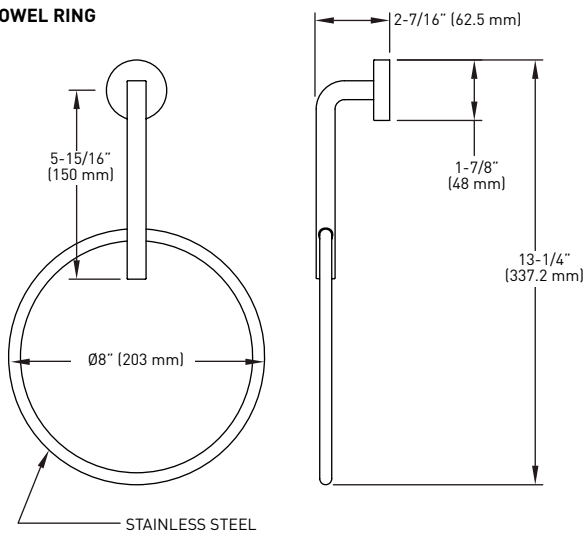
ROBE HOOK



PAPER HOLDER

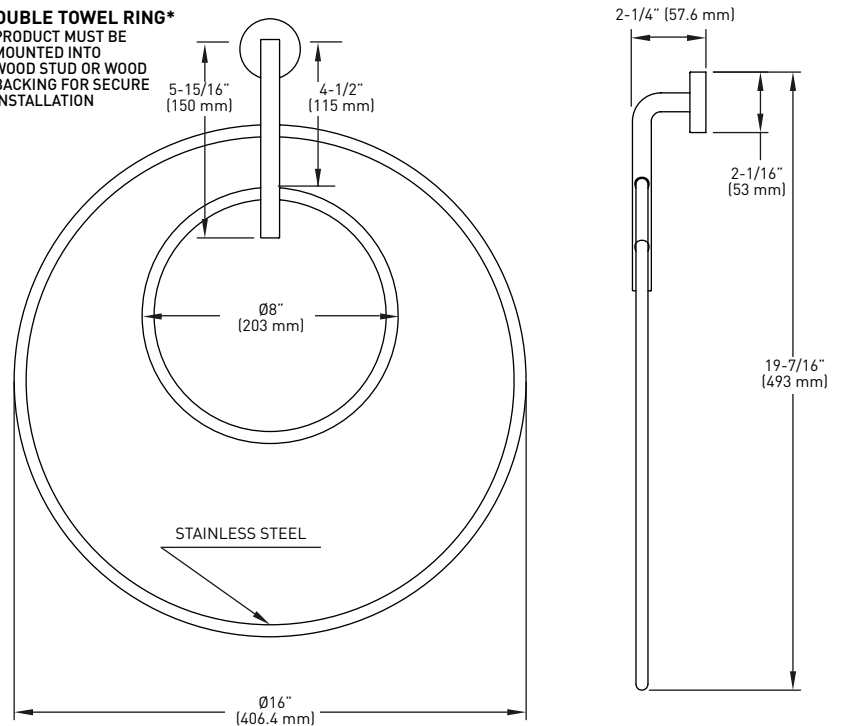


TOWEL RING



DOUBLE TOWEL RING*

* PRODUCT MUST BE MOUNTED INTO WOOD STUD OR WOOD BACKING FOR SECURE INSTALLATION



MEASUREMENTS SUBJECT TO A 3% VARIANCE

MEASUREMENTS ARE FOR REFERENCE ONLY. TAYMOR RESERVES THE RIGHT TO CHANGE THE PRODUCT SPECS WITHOUT NOTICE. FOR PRODUCT WARRANTY, PLEASE VISIT TAYMOR WEBSITE FOR DETAILS

BUILDER PACK	POLISHED CHROME 26	MATERIAL	CASE PACK
18" TOWEL BAR	04-33018	BRASS	10
24" TOWEL BAR	04-33024	BRASS	10
ROBE HOOK	04-33001	BRASS	10
TOWEL RING	04-33004	BRASS/ STAINLESS STEEL	10
*DOUBLE TOWEL RING	04-33007D	BRASS/ STAINLESS STEEL	4
PAPER HOLDER	04-33048	BRASS	10

*DOUBLE TOWEL RINGS

SPECIAL ORDER: This product is available for project orders - minimum quantities and lead times apply. For quotes or assistance for multi-family residential projects, please contact our Customer Service team.

CUSTOMER SERVICE WEST 1-800-267-4774 | **EAST** 1-800-387-7064

