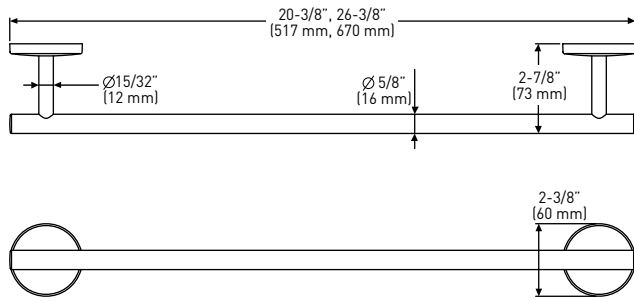


FEATURES

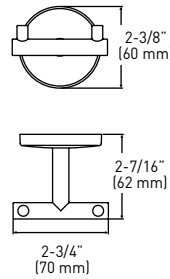
- › INCLUDES SOLID ZINC DIE CAST MOUNTING PLATES: 1-13/16" x 1-3/16" [46 mm x 30 mm]; NYLON ANCHORS AND STEEL PHILLIPS HEAD SCREWS: #8 x 1-1/4" [32 mm]
- › ZINC DIE-CAST CONSTRUCTION (POSTS)



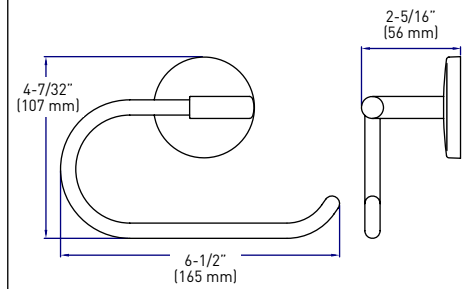
TOWEL BAR



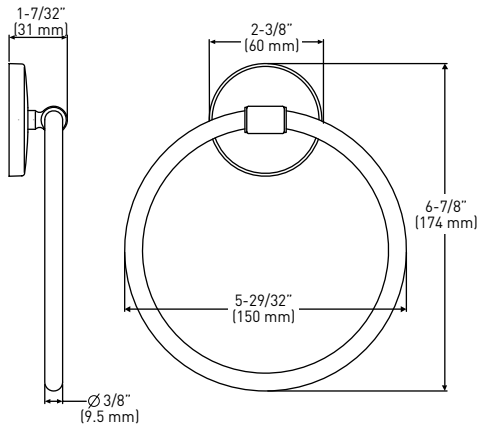
DOUBLE ROBE HOOK



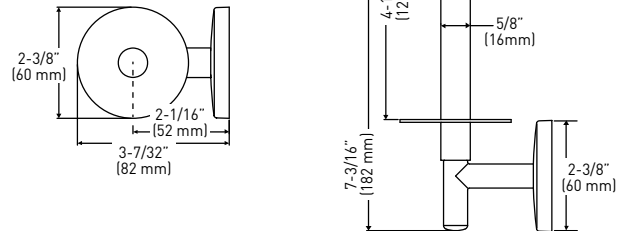
PAPER HOLDER/TOWEL HOLDER



TOWEL RING



VERTICAL PAPER HOLDER



BUILDER PACK	POLISHED CHROME 26	MATERIAL	CASE QTY.
TOWEL BAR - 18"	04-20818	ZINC & STEEL	10
TOWEL BAR - 24"	04-20824	ZINC & STEEL	10
DOUBLE ROBE HOOK	04-20802	ZINC	10
PAPER HOLDER	04-20838	ZINC & STEEL	10
VERTICAL PAPER HOLDER	04-20858	ZINC & STEEL	10
TOWEL RING	04-20804	ZINC & ALUMINUM	10

MEASUREMENTS SUBJECT TO A 3% VARIANCE

MEASUREMENTS ARE FOR REFERENCE ONLY. TAYMOR RESERVES THE RIGHT TO CHANGE THE PRODUCT SPECS WITHOUT NOTICE. FOR PRODUCT WARRANTY, PLEASE VISIT TAYMOR WEBSITE FOR DETAILS

