

SUNGLOW

06-4475MH
BATHROOM FAUCET

Taymor®



FEATURES

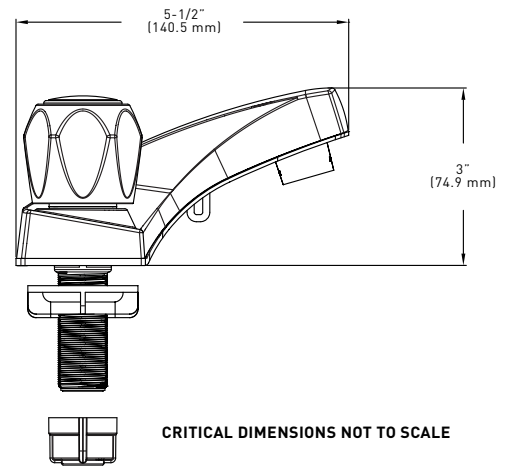
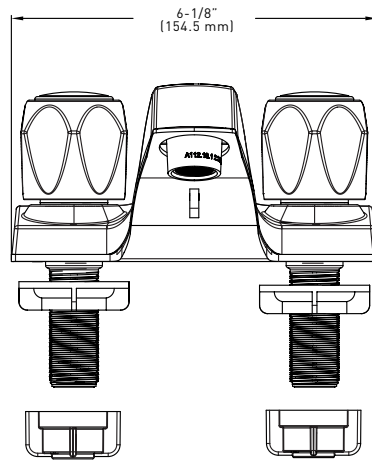
- TWO METAL HANDLES
- AVAILABLE IN POLISHED CHROME
- WASHERLESS CARTRIDGE
- 4" CENTER-SET MOUNT
- MAXIMUM FLOW RATE: 2.2 gpm/8.3 LPM @ 60 PSI
- FACTORY PRESSURE TESTED

- cUPC CERTIFIED
- LOW LEAD COMPLIANT



SUNGLOW

06-4475MH
BATHROOM FAUCET



CRITICAL DIMENSIONS NOT TO SCALE

CONSTRUCTION

- METAL CONSTRUCTION WITH POLISHED CHROME FINISH
- PLASTIC VALVE BODIES

MOUNTING

- DESIGNED TO INSTALL THROUGH 2 HOLES, 13/16" (21mm) MIN. DIA. WITH 4" (102mm) CENTERS, ON DECKS UP TO 1-3/16" (30mm)

INLET

- 1/2" -14 NPSM THREADED MALE INLET SHANKS

OPERATION

- QUARTER-TURN LEVER STYLE HANDLES
- OPERATES WITH LESS THAN 5 LBS. OF FORCE

WATER-CONTROL MECHANISM

- CARTRIDGE
- ROTATING CYLINDER TYPE WITH STAINLESS STEEL PLATE AND NON-METALLIC SEATS

FLOW

- AERATOR LIMITS MAXIMUM FLOW RATE TO 2.2 GPM MAX. (8.3 L/MIN.) @ 60 PSI

CODES/STANDARDS APPLICABLE

- cUPC
- ASME A112.18.1
- ANSI/NSF 61/9
- LOW LEAD COMPLIANT

GUARANTEE

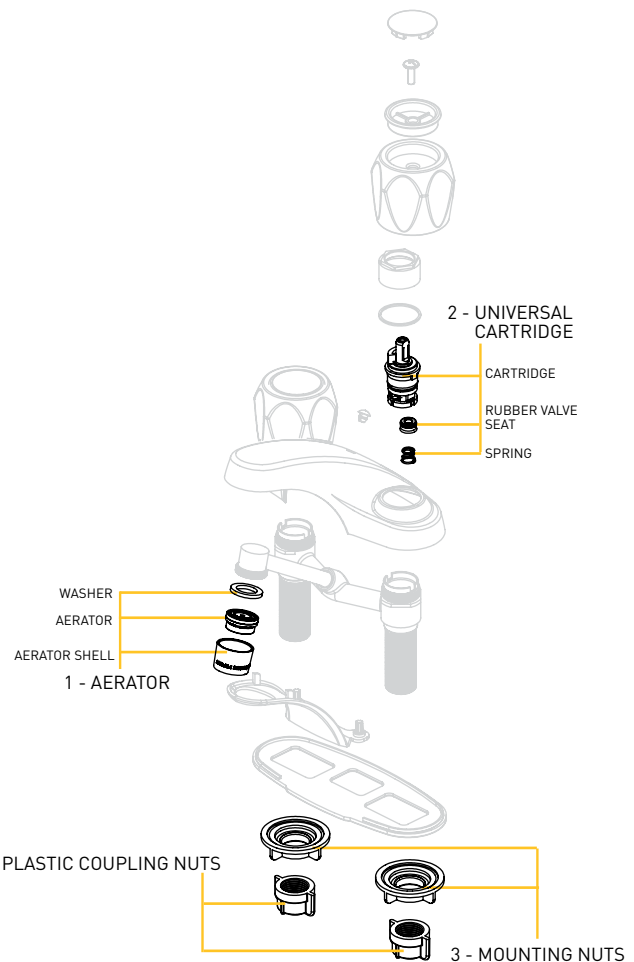
- LIMITED LIFETIME GUARANTEE AGAINST DEFECTS IN MATERIAL AND WORKMANSHIP TO ORIGINAL CONSUMER PURCHASER
- 5 YEAR WARRANTY IF USED IN INDUSTRIAL, COMMERCIAL AND BUSINESS INSTALLATIONS



REPLACEMENT PARTS AVAILABLE

FOR PARTS NOT LISTED CONTACT CUSTOMER SERVICE

REPLACEMENT PARTS	PART NUMBER
1 - AERATOR	06-RP0704
2 - UNIVERSAL CARTRIDGE	06-RP0069
3 - MOUNTING NUTS	06-RP0186
4 - PLASTIC COUPLING NUTS	06-RP0739



DESCRIPTION	POLISHED CHROME	CASE QTY.
TWO METAL HANDLE BATHROOM FAUCET	06-4475MH	6