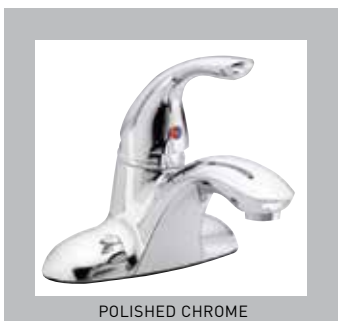


COSMOS

06-4588P / 06-4588PSN
BATHROOM FAUCET



PVD SATIN NICKEL



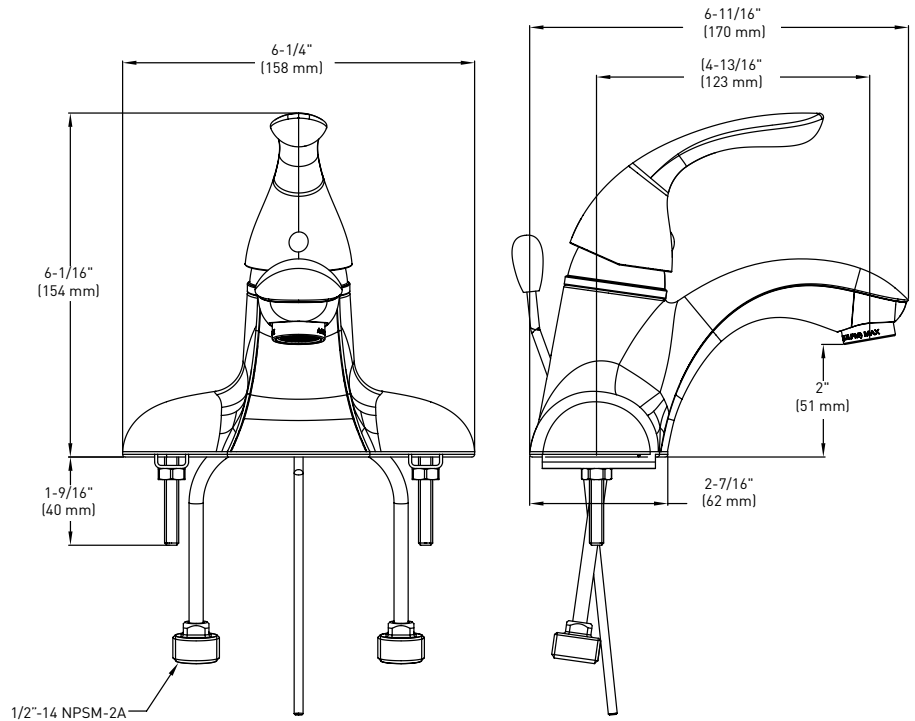
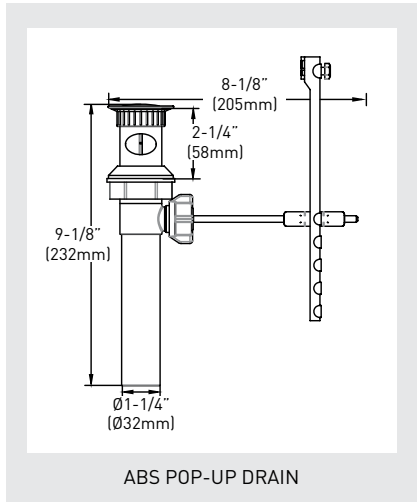
POLISHED CHROME

FEATURES

- SINGLE LEVER WITH HOT & COLD INDICATOR INSERT
- AVAILABLE IN POLISHED CHROME AND PVD SATIN NICKEL
- 4" CENTER-SET MOUNT
- CERAMIC CARTRIDGE
- POP-UP DRAIN ASSEMBLY INCLUDED
- MAXIMUM FLOW RATE: 1.5 GPM/5.7 LPM @ 60 PSI
- SOLID BRASS & COPPER WATERWAYS
- FACTORY PRESSURE TESTED

- cUPC CERTIFIED / WaterSense[®] CERTIFIED

CRITICAL DIMENSIONS NOT TO SCALE



CONSTRUCTION

- METAL CONSTRUCTION WITH VARIOUS FINISHES IDENTIFIED BY SUFFIX
- BRASS VALVE BODY

MOUNTING

- DESIGNED TO INSTALL THROUGH 3 HOLES, 13/16" (21mm) MIN. DIA. ON DECKS UP TO 1" (26mm)
- DESIGNED TO INSTALL MIN. 1-13/16" (46mm) FROM VALVE CENTERLINE TO BACK SPLASH

INLET

- 1/2" Copper/MIP WITH 1/2"-14 NPSM AD APTERS

OPERATION

- PIVOT ACTION LEVER STYLE HANDLE
- OPERATES WITH LESS THAN 5 LBS. OF FORCE

WATER-CONTROL MECHANISM

- CARTRIDGE
- ONE-PIECE, SELF-CONTAINED CERAMIC DISC VALVE

FLOW

- AERATOR LIMITS MAXIMUM FLOW RATE TO 1.5 GPM MAX. (5.7 L/MIN.) @ 60 PSI

CODES/STANDARDS APPLICABLE

- cUPC
- ASME A112.18.1/CSA B125.1
- ANSI/NSF 372 AND 61/9

GUARANTEE

- LIMITED LIFETIME GUARANTEE AGAINST DEFECTS IN MATERIAL AND WORKMANSHIP TO ORIGINAL CONSUMER PURCHASER
- 5 YEAR WARRANTY IF USED IN INDUSTRIAL, COMMERCIAL AND BUSINESS INSTALLATIONS



DESCRIPTION	PVD SATIN NICKEL	POLISHED CHROME	CASE QTY.
SINGLE LEVER BATHROOM FAUCET WITH HOT & COLD INDICATOR INSERT	06-4588PSN	06-4588P	6

