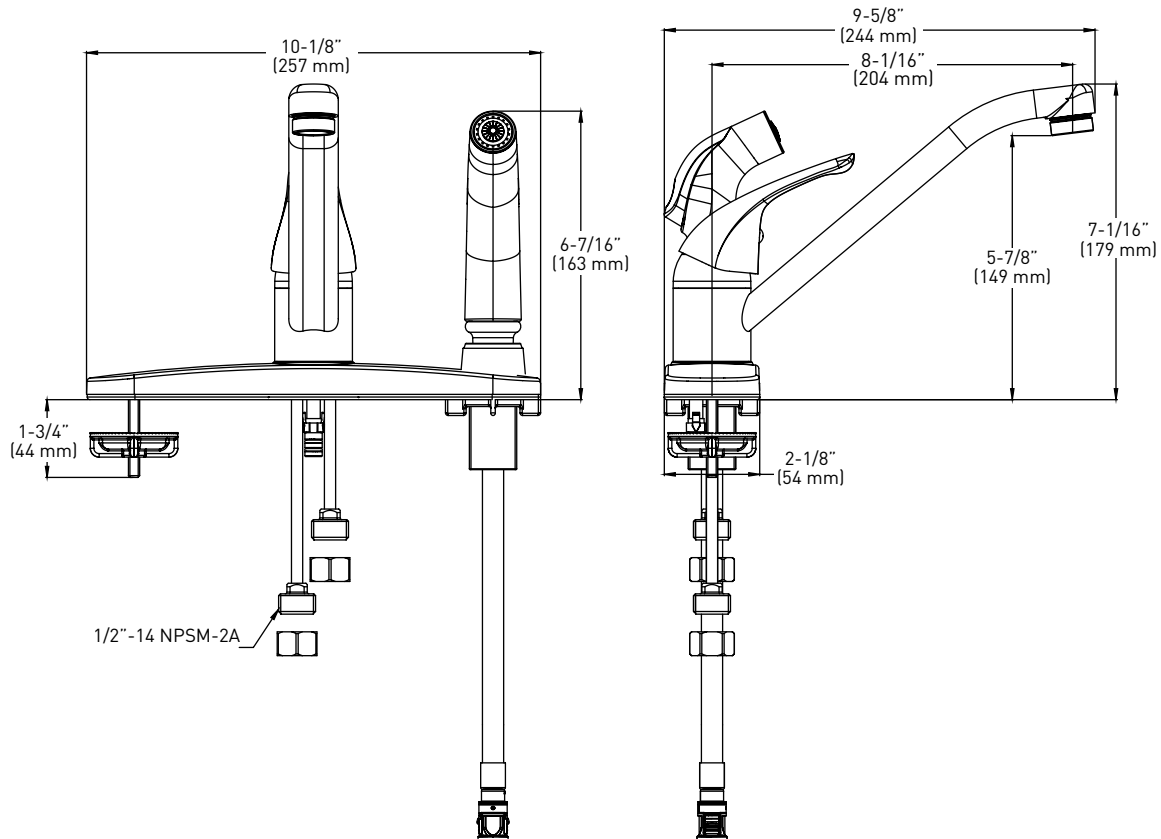


## FEATURES

- › SINGLE LEVER HANDLE WITH SIDE SPRAY ON DECK
- › AVAILABLE IN POLISHED CHROME AND PVD SATIN NICKEL
- › FITS STANDARD 8" THREE HOLE SINK
- › STAINLESS STEEL BALL VALVE
- › MAXIMUM FLOW RATE: 2.2 GPM/8.3 LPM @ 60 PSI
- › SOLID BRASS & COPPER WATERWAYS
- › FACTORY PRESSURE TESTED



## MATERIAL

- › PREMIUM METAL CONSTRUCTION

## INSTALLATION

- › DESIGNED TO INSTALL THROUGH 3 HOLES, 1-3/16" (30mm) MIN. DIA. WITH 8" (203mm) CENTERS, ON DECKS UP TO 1-1/8" (29mm)

## CODES/STANDARDS

- › MEETS OR EXCEEDS ASME A112.18.1-2018/CSA B125.1-18
- › CERTIFICATIONS: cUPC
- › CODE COMPLIANCE: NSF/ANSI 61-2018, ADA



RETAIL PACK

KITCHEN FAUCET

POLISHED CHROME 26

06-8830S

CASE QTY

6

MEASUREMENTS SUBJECT TO A 3% VARIANCE

MEASUREMENTS ARE FOR REFERENCE ONLY. TAYMOR RESERVES THE RIGHT TO CHANGE THE PRODUCT SPECS WITHOUT NOTICE. FOR PRODUCT WARRANTY, PLEASE VISIT TAYMOR WEBSITE FOR DETAILS

