

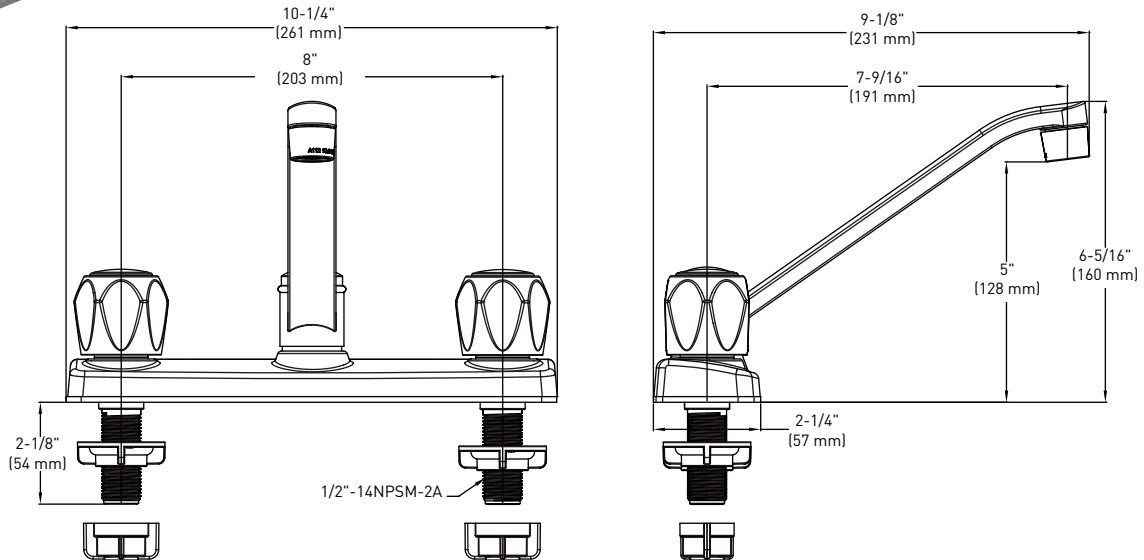
SUNGLOW

06-8875MH
KITCHEN FAUCET

Taymor



| POLISHED CHROME | CASE QTY. |
|-----------------|-----------|
| 06-8875MH | 6 |



CRITICAL DIMENSIONS NOT TO SCALE

FEATURES

- TWO METAL KNOBS
- FITS STANDARD 8" THREE HOLE SINK
- WASHERLESS CARTRIDGE
- FACTORY PRESSURE TESTED

CONSTRUCTION

- METAL CONSTRUCTION WITH POLISHED CHROME FINISH
- PLASTIC VALVE BODIES

MOUNTING

- DESIGNED TO INSTALL THROUGH 3 HOLES, 7/8" (23mm) MIN. DIA. WITH 8" (203mm) CENTERS ON DECKS UP TO 1-1/8" (29mm)

INLET

- 1/2"-14 NPSM THREADED MALE INLET SHANKS
- QUARTER-TURN METAL KNOB STYLE HANDLES

WATER-CONTROL MECHANISM

- CARTRIDGE
- ROTATING CYLINDER TYPE WITH STAINLESS STEEL PLATE AND NON-METALLIC SEATS

FLOW

- AERATOR LIMITS MAXIMUM FLOW RATE TO 2.2 GPM MAX. (8.3 L/MIN.) @ 60 PSI

CODES/STANDARDS APPLICABLE

- cUPC
- ASME A112.18.1
- ANSI/NSF 61/9
- LOW LEAD COMPLIANT

GUARANTEE

- LIMITED LIFETIME GUARANTEE AGAINST DEFECTS IN MATERIAL AND WORKMANSHIP TO ORIGINAL CONSUMER PURCHASER
- 5 YEAR WARRANTY IF USED IN INDUSTRIAL, COMMERCIAL AND BUSINESS INSTALLATIONS

