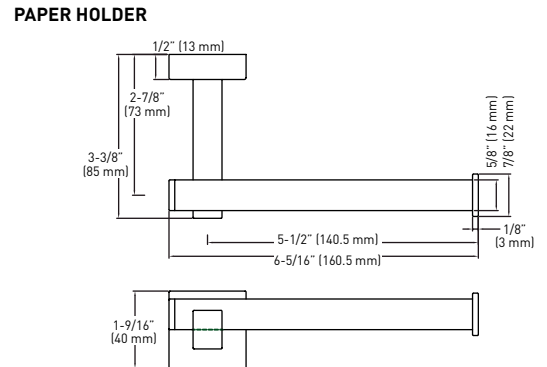
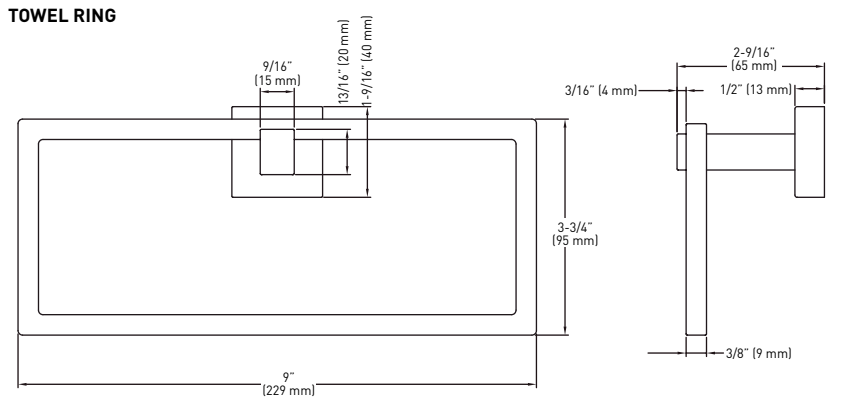
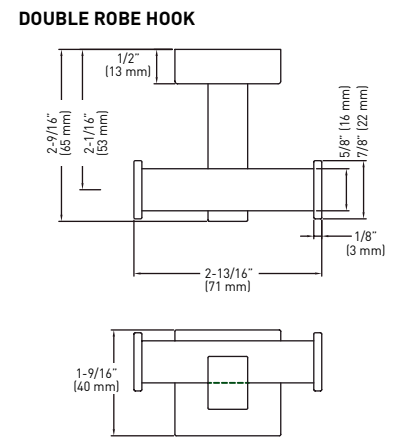
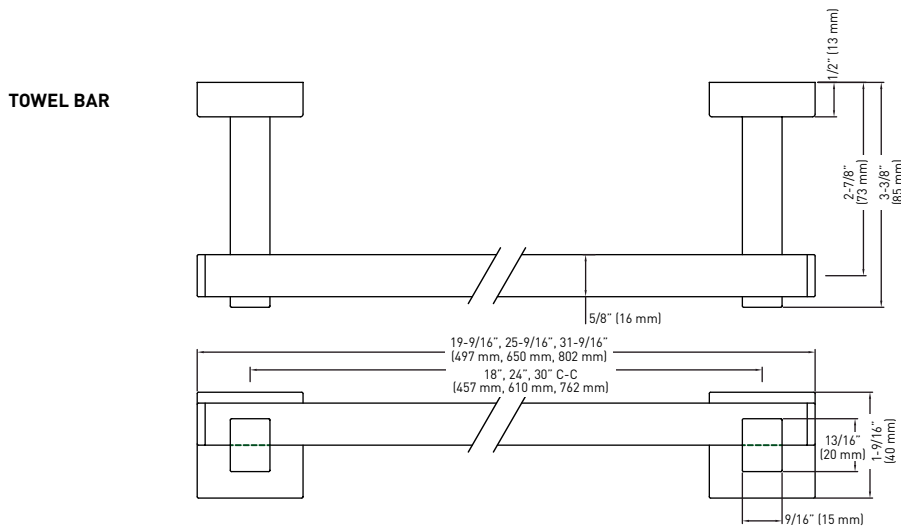
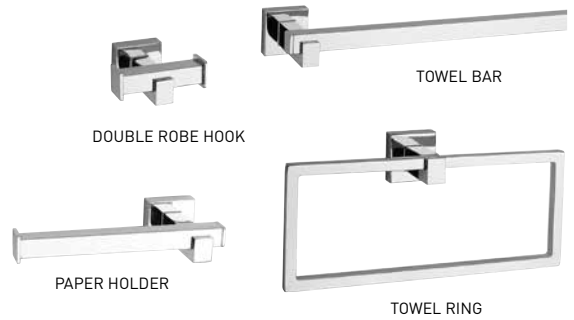


FEATURES

- › INCLUDES SOLID ZINC DIE CAST MOUNTING PLATES: 7/8" x 7/8" [22 mm x 22 mm]; NYLON ANCHORS AND STEEL PHILLIPS HEAD SCREWS: #8 x 1-1/4" [32 mm]
- › ZINC & STAINLESS STEEL



MEASUREMENTS SUBJECT TO A 3% VARIANCE

MEASUREMENTS ARE FOR REFERENCE ONLY. TAYMOR RESERVES THE RIGHT TO CHANGE THE PRODUCT SPECS WITHOUT NOTICE. FOR PRODUCT WARRANTY, PLEASE VISIT TAYMOR WEBSITE FOR DETAILS

| BUILDER PACK | MATTE BLACK 19 | POLISHED CHROME 26 | MATERIAL | CASE PACK |
|------------------|-------------------|-----------------------|----------------------|--------------|
| 18" TOWEL BAR | 04-32818BLK | 04-32818 | ZINC/STAINLESS STEEL | 10 |
| 24" TOWEL BAR | 04-32824BLK | 04-32824 | ZINC/STAINLESS STEEL | 10 |
| 30" TOWEL BAR | 04-32830BLK | 04-32830 | ZINC/STAINLESS STEEL | 10 |
| DOUBLE ROBE HOOK | 04-32802BLK | 04-32802 | ZINC/STAINLESS STEEL | 10 |
| TOWEL RING | 04-32804BLK | 04-32804 | ZINC | 10 |
| PAPER HOLDER | 04-32848BLK | 04-32848 | ZINC/STAINLESS STEEL | 10 |

