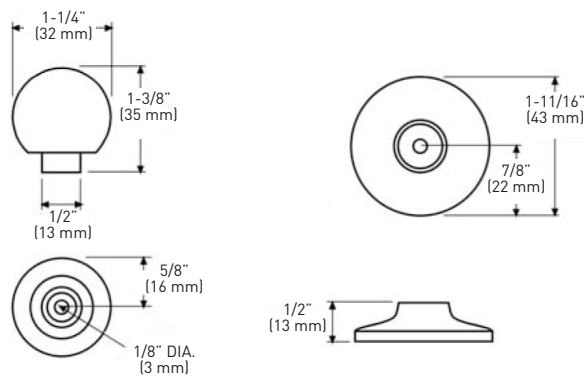


**CLOSET AND CABINET HARDWARE**

**PEDESTAL KNOB WITH  
REMOVABLE BACKPLATE**

- > ZINC DIE-CAST CONSTRUCTION
- > 1-1/4" [32 mm] ROUND DIAMETER
- > 1-11/16" DIA. [43 mm] BACK PLATE
- > INCLUDES 2" [51 mm] BREAK-OFF SCREW



POLY BAGGED WITH UPC	10B+ AGED BRONZE	15 SATIN NICKEL	17A ANTIQUÉ NICKEL	26D SATIN CHROME	CASE PACK
1-3/8" [35 mm] DEEP	20-B10500RB	20-B1050SN	20-B1050AN	20-B1050SC	25

