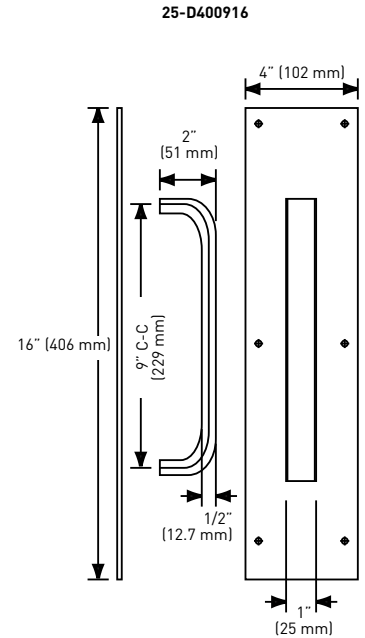
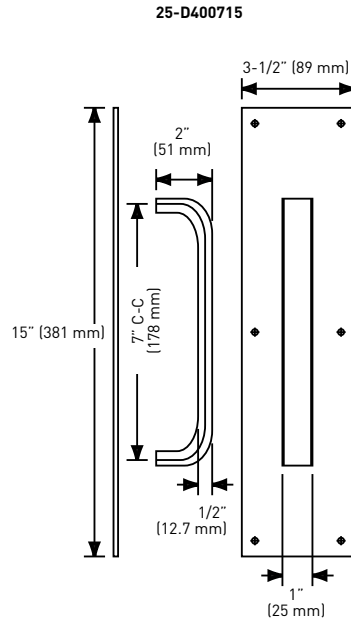


PUSH PLATES & DOOR PULLS

DOOR PULL WITH PUSH PLATE

- > 0.039" (1 mm) GAUGE ALUMINUM
- > INCLUDES SELF TAPPING SCREWS
- SUITABLE FOR METAL OR WOOD DOORS



CARDED

229 mm (9") PULL WITH 102 mm x 406 mm (4" x 16") PUSH PLATE

SATIN ALUMINUM

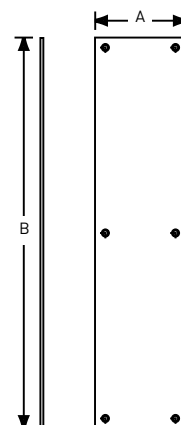
25-D400916

CASE PACK

20

PUSH PLATE

- > 0.039" (1 mm) GAUGE ALUMINUM
- > INCLUDES SELF TAPPING SCREWS
- SUITABLE FOR METAL OR WOOD DOORS



A = 4" (102 mm)  
B = 16" (406 mm)

CARDED

102 mm x 406 mm (4" x 16")

SATIN ALUMINUM

25-D416

3 SOLID BRASS

25-D7316PB

CASE PACK

50

