

Taymor

PRODUCT SPECIFICATIONS

THE PREMIER LINE

WELLS LEVERSET

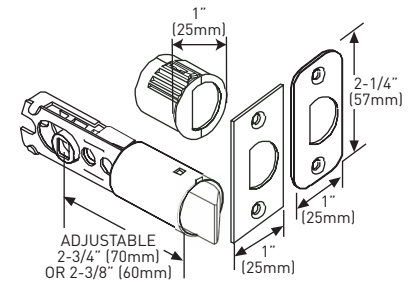
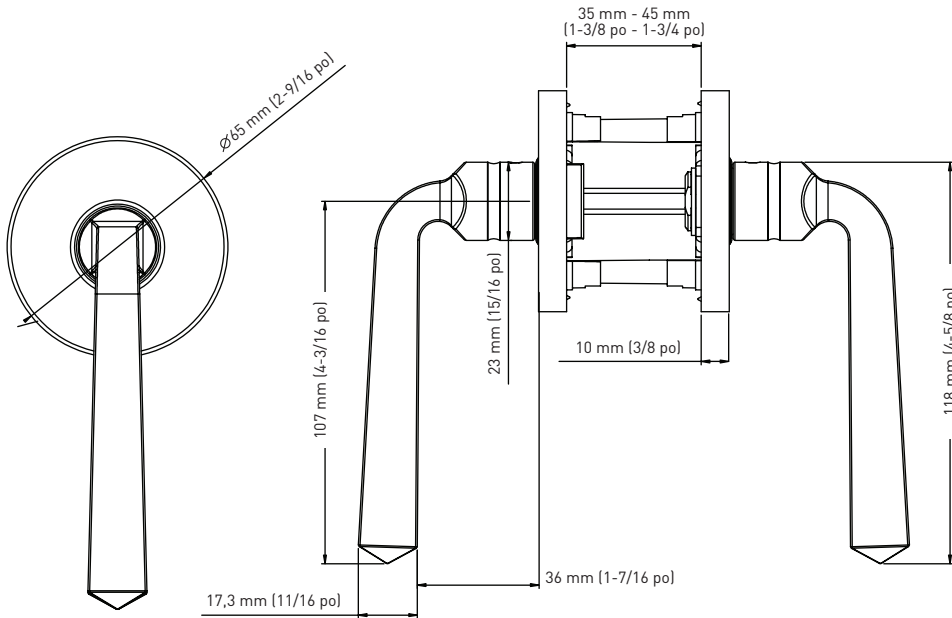
SPECIFICATIONS

- UNIVERSAL 6-IN-1 LATCH: DRIVE IN, SQUARE MORTISE AND RADIUS CORNER WITH ADJUSTABLE BACKSET: 2-3/8" (60 mm) – 2-3/4" (70 mm)
- STANDARD BORE HOLES: 2-1/8" (54 mm)
- FITS STANDARD DOOR THICKNESS: 1-3/8" (35 mm) – 1-3/4" (45 mm)
- FULL LIP RADIUS CORNER STRIKE WITH ADJUSTABLE TAB STANDARD: 1-3/4" x 2-1/4" (45 mm x 57 mm)

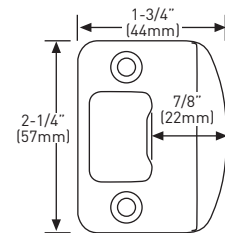


GRADE 3
ANSI GRADE 3

LIFETIME MECHANICAL & FINISH WARRANTY



6-IN-1 PRIVACY/PASSAGE LATCH



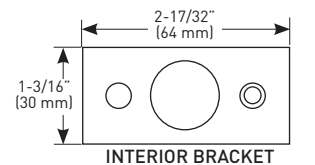
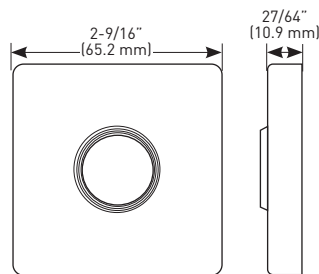
FULL LIP RADIUS STRIKE

BUILDER PACK	AGED BRONZE 10B+	SATIN NICKEL 15	CASE QTY.
Privacy	30-D006524BRN	30-D006524SN	20
Passage	30-D006534BRN	30-D006534SN	20
Inside Trim	30-HL0065BRN	30-HL0065SN	20
Dummy	30-654BRN	30-654SN	20

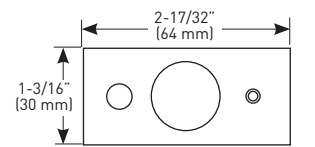
SQUARE ROSE KIT OPTION



SQUARE CONTEMPORARY ROSE KIT



INTERIOR BRACKET



EXTERIOR BRACKET

BUILDER PACK	AGED BRONZE 10B+	SATIN NICKEL 15	CASE QTY.
Privacy	30-SQR0024BRN	30-SQR0024SN	10
Passage	30-SQR0034BRN	30-SQR0034SN	10
Dummy/Inside trim	30-SQR0044BRN	30-SQR0044SN	10

MEASUREMENTS SUBJECT TO A 3% VARIANCE

MEASUREMENTS ARE FOR REFERENCE ONLY. TAYMOR RESERVES THE RIGHT TO CHANGE THE PRODUCT SPECS WITHOUT NOTICE. FOR PRODUCT WARRANTY, PLEASE VISIT TAYMOR WEBSITE FOR DETAILS

