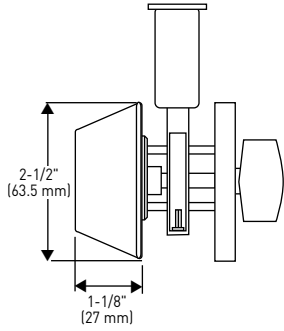
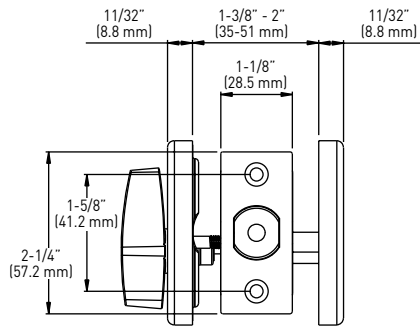


DEADBOLTS

COMMERCIAL LOCKS - 32 SERIES
GRADE 2 DEADBOLT
BUILDER PACK



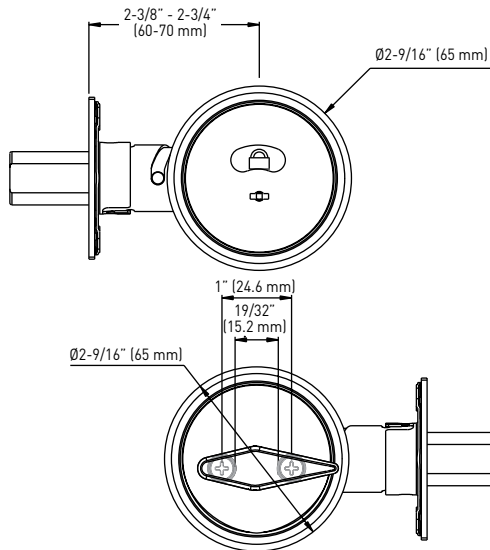
SINGLE CYLINDER DEADBOLT



COMMUNICATING DEADBOLT



OCCUPANCY INDICATOR DEADBOLT SHOWING RED "LOCKED" & GREEN "UNLOCKED" ICONS



AVAILABLE FINISHES

26D SATIN CHROME



32D SATIN STAINLESS STEEL



FEATURES

- ANSI/BHMA A 156.2 GRADE 2
- SOLID BRASS CYLINDER
- DOOR PREP: CROSS BORE 2-1/8" OR 1-1/2"
- 2-IN-1 ADJUSTABLE BACKSET LATCH 2-3/8" TO 2-3/4" (61 mm x 70 mm) FOR A. & C.
- FIXED BACKSET LATCH 2-3/4" (61 mm) FOR B.
- 1" x 2-1/4" (25 mm x 57 mm) SQUARE MORTISE LATCH
- 5 YEAR MECHANICAL WARRANTY

BUILDER PACK COMMERCIAL GRADE 2 DEADBOLT

	26D SATIN CHROME	32D SATIN STAINLESS STEEL	CASE PACK
A. SINGLE CYLINDER DEADBOLT	32-F470	32-F450	20
B. SINGLE SIDED DEADBOLT	32-F218		20
C. OCCUPANCY INDICATOR DEADBOLT	32-F238	32-F238SSS	20