

SPECIFICATIONS

- › SOLID METAL CONSTRUCTION
- › 4-IN-1 ADJUSTABLE LATCH FOR DRIVE-IN AND SQUARE MORTISE INSTALLATIONS WITH ADJUSTABLE BACKSET: 2-3/8" (60 mm) – 2-3/4" (70 mm)
- › FITS STANDARD DOOR THICKNESS: 1-3/8" (35 mm) – 1-3/4" (45 mm)
- › STANDARD BORE HOLES: 2-1/8" (54 mm)
- › 1-3/4" x 2-1/4" FULL LIP CORNER RADIUS "D" STRIKE
- › WR5 5-PIN KEYWAY
- › KEYING SERVICE AVAILABLE
- › FIRE RATING DOES NOT APPLY TO ENTRY FUNCTION
- › COMPATIBLE WITH 5" BACKSET DEADLATCH

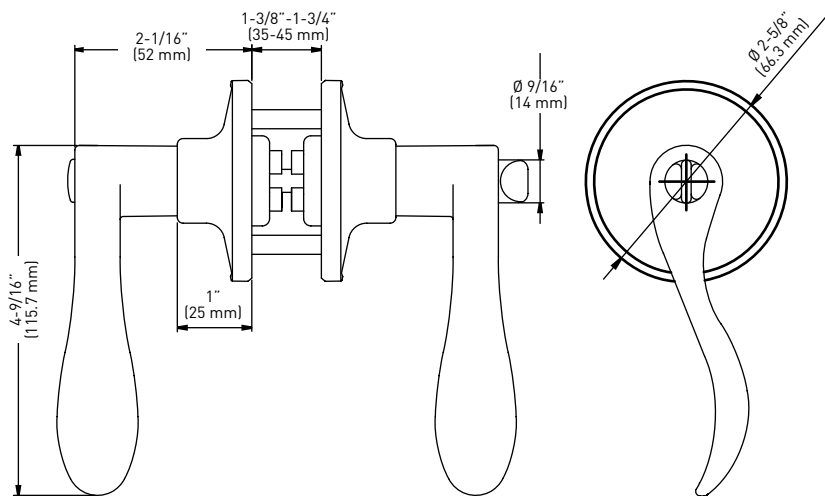


GRADE
3

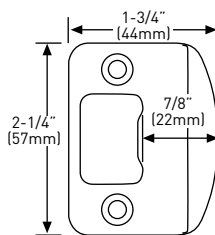
ANSI GRADE 3



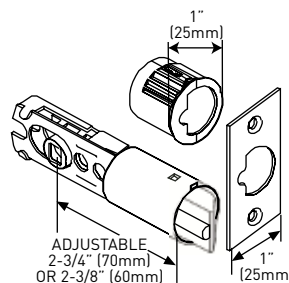
25 YEARS MECHANICAL & 5 YEARS FINISH WARRANTY



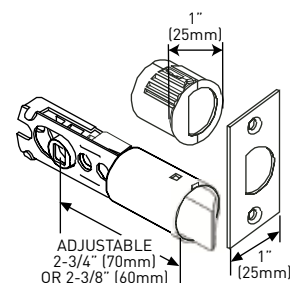
4-IN-1 DRIVE-IN/SQUARE MORTISE



FULL LIP RADIUS STRIKE



4-IN-1 ENTRY LATCH



4-IN-1 PRIVACY/PASSAGE LATCH

MEASUREMENTS SUBJECT TO A 3% VARIANCE

MEASUREMENTS ARE FOR REFERENCE ONLY. TAYMOR RESERVES THE RIGHT TO CHANGE THE PRODUCT SPECS WITHOUT NOTICE. FOR PRODUCT WARRANTY, PLEASE VISIT TAYMOR WEBSITE FOR DETAILS www.taymor.com

ORLEANS

*PLEASE SELECT "R" OR "L" FOR RIGHT OR LEFT HANDING AT END OF ITEM NUMBER WHEN ORDERING DUMMIES

BUILDER PACK	ENTRY - KD	PRIVACY	PASSAGE	DUMMY*
AGED BRONZE 10B+	36-D8310CBRN	36-D8303BBRN	36-D8305BRN	36-8311__BRN
SATIN NICKEL 15	36-D8310CSN	36-D8303BSN	36-D8305SN	36-8311__SN
ANTIQUE NICKEL 17A	36-D8310CAN	36-D8303BAN	36-D8305AN	36-8311__AN
SATIN CHROME 26D	36-D8310CSC	36-D8303BSC	36-D8305SC	36-8311__SC

CASE QTY. 20

