

SPECIFICATIONS

- › SOLID METAL CONSTRUCTION
- › 4-IN-1 ADJUSTABLE LATCH FOR DRIVE-IN AND SQUARE MORTISE INSTALLATIONS WITH ADJUSTABLE BACKSET: 2-3/8" (60 mm) – 2-3/4" (70 mm)
- › FITS STANDARD DOOR THICKNESS: 1-3/8" (35 mm) – 1-3/4" (45 mm)
- › STANDARD BORE HOLES: 1-1/2" (38 mm) and 2-1/8" (54 mm)
- › HIGH SECURITY STRIKE



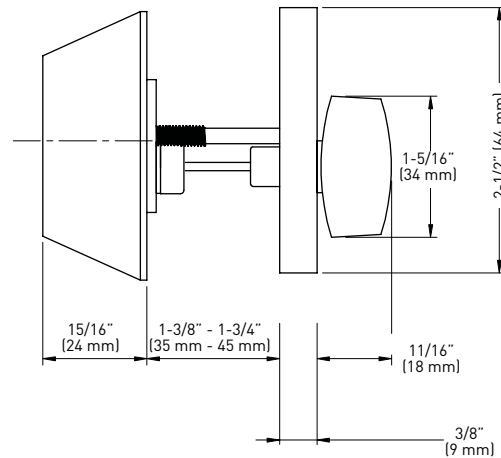
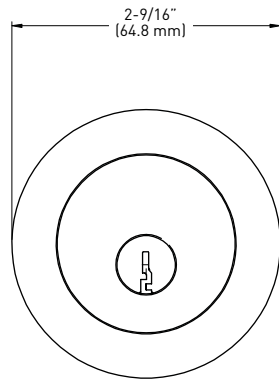
**GRADE
3**
ANSI GRADE 3



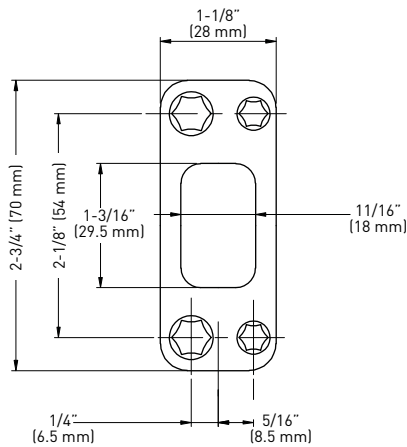
LIMITED LIFETIME MECHANICAL & 5 YEAR FINISH WARRANTY



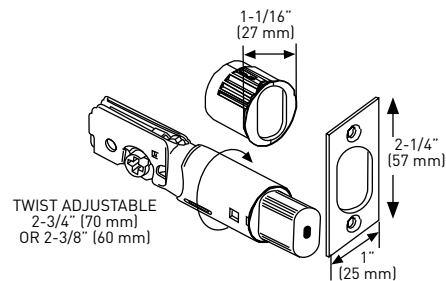
WR5 KEYWAY, PACKAGED KEYED DIFFERENT



HIGH SECURITY STRIKE



4-IN-1 DEADBOLT LATCH



MEASUREMENTS SUBJECT TO A 3% VARIANCE

MEASUREMENTS ARE FOR REFERENCE ONLY. TAYMOR RESERVES THE RIGHT TO CHANGE THE PRODUCT SPECS WITHOUT NOTICE. FOR PRODUCT WARRANTY, PLEASE VISIT TAYMOR WEBSITE FOR DETAILS.

RETAIL PACK	SINGLE CYLINDER DEADBOLT	CASE QTY.
SATIN NICKEL 15	38-FV104HSSN	4
POLISHED CHROME 26	38-FV104HSPC	4
SATIN STAINLESS STEEL 32D	38-FV104HSSS	4