

SPECIFICATIONS

- › SOLID METAL CONSTRUCTION
- › 4-IN-1 ADJUSTABLE LATCH FOR DRIVE-IN AND SQUARE MORTISE INSTALLATIONS WITH ADJUSTABLE BACKSET: 2-3/8" (60 mm) – 2-3/4" (70 mm)
- › FITS STANDARD DOOR THICKNESS: 1-3/8" (35 mm) – 1-3/4" (45 mm)
- › STANDARD BORE HOLES: 2-1/8" (54 mm)
- › 1-3/4" x 2-1/4" FULL LIP CORNER RADIUS "D" STRIKE



GRADE
3

ANSI GRADE 3



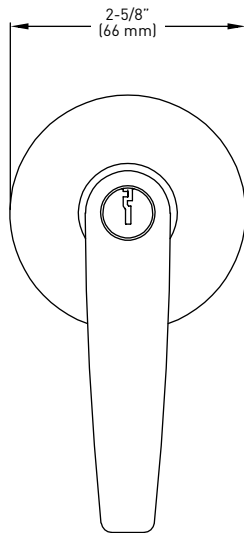
LIMITED LIFETIME MECHANICAL & 5 YEAR FINISH WARRANTY



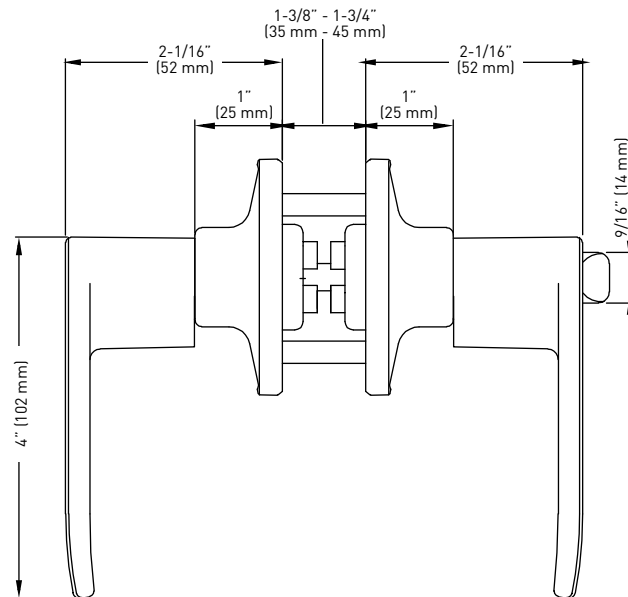
WR5 KEYWAY, PACKAGED KEYED DIFFERENT



REVERSIBLE

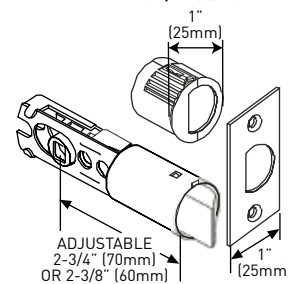
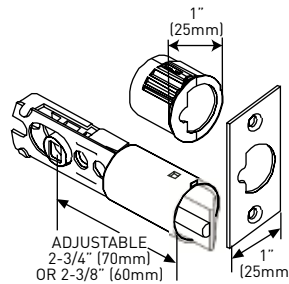
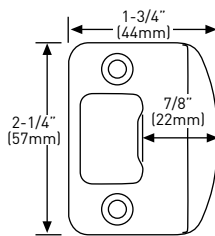


FULL LIP RADIUS STRIKE



4-IN-1 ENTRY LATCH

4-IN-1 PRIVACY/PASSAGE LATCH



MEASUREMENTS SUBJECT TO A 3% VARIANCE

MEASUREMENTS ARE FOR REFERENCE ONLY. TAYMOR RESERVES THE RIGHT TO CHANGE THE PRODUCT SPECS WITHOUT NOTICE. FOR PRODUCT WARRANTY, PLEASE VISIT TAYMOR WEBSITE FOR DETAILS.

RETAIL PACK	ENTRY - KD	PRIVACY	PASSAGE	CASE QTY.
SATIN NICKEL 15	38-FV6210SN	38-FV6203SN	38-FV6205SN	4
POLISHED CHROME 26	38-FV6210PC	38-FV6203PC	38-FV6205PC	4

