



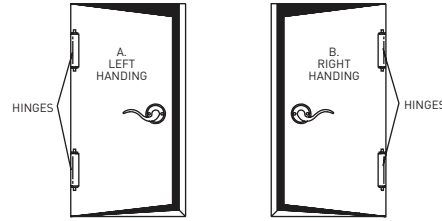
INSTALLATION INSTRUCTIONS ASHFORD

TOOLS AND MATERIALS REQUIRED

- > Drill
- > 2-1/8" (54 mm) Hole Saw
- > 3/8" (10 mm) Drill Bit
- > 1" (25 mm) Wood Bit
- > Chisel
- > Phillips Screw Driver
- > Tape Measure

1 DETERMINE DOOR HANDING

Stand at the exterior side and face the door.
 A. Your door is a LEFT HAND door if hinges are installed at your left hand.
 B. Your door is a RIGHT HAND door if hinges are installed at your right hand.



2a USE THROUGHBOLT TEMPLATE TO MARK AND DRILL HOLES

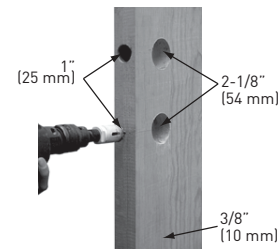
1. MARK DOOR

Use template attached to mark holes on door face.
 A. Make mark for 1" (25 mm) hole on door edge.
 B. Height 36" (914 mm) to 38" (965 mm) from floor.

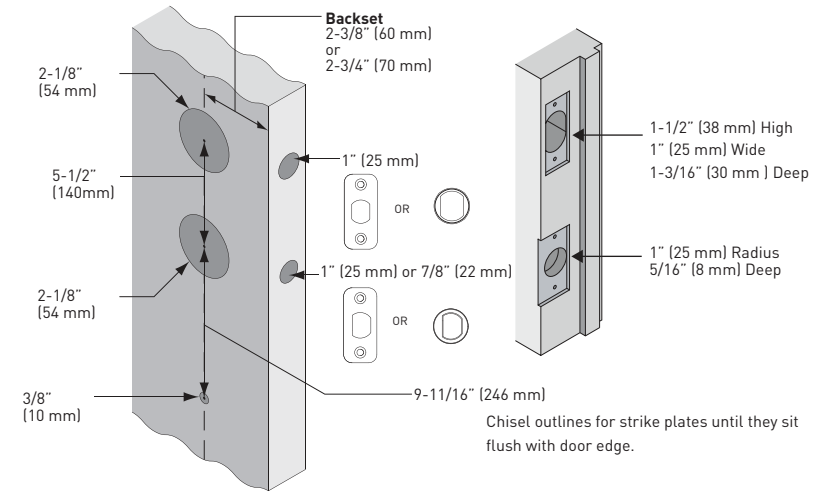


2. DRILL HOLES

Select backset. Mark and drill holes as shown.

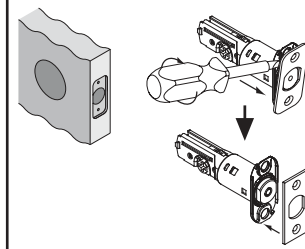


2b IF REPLACING EXISTING HANDLESET OR INSTALLING ON PRE-DRILLED DOOR, CHECK DOOR JAMB AND DOOR PREPARATION



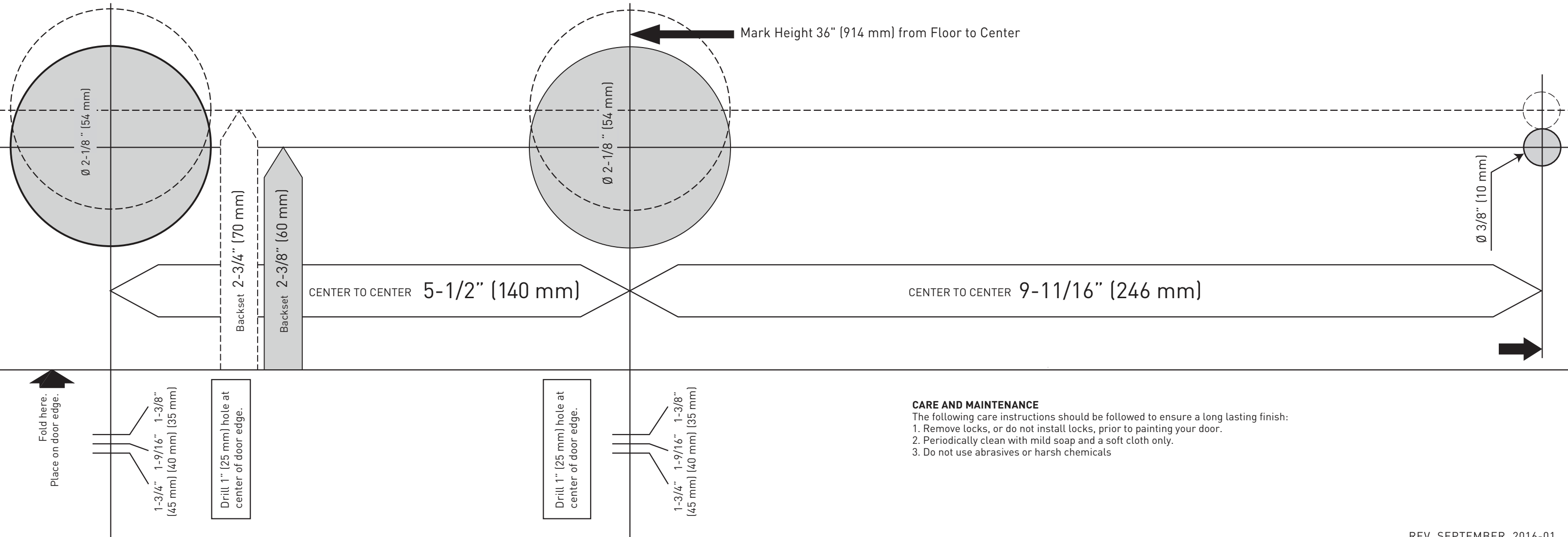
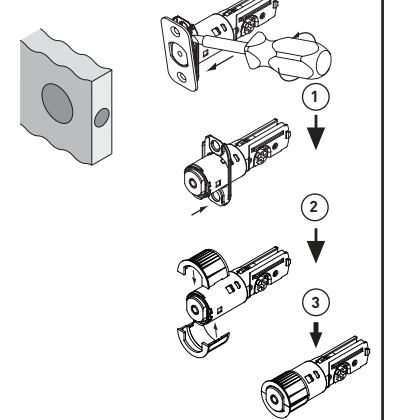
3 CHOOSE LATCH FACE PLATE FOR HANDLESET & DEADBOLT

RADIUS OR SQUARE CORNER MORTISE



Chisel 1/8" (3 mm) deep or until latch face plate is flush with door edge.

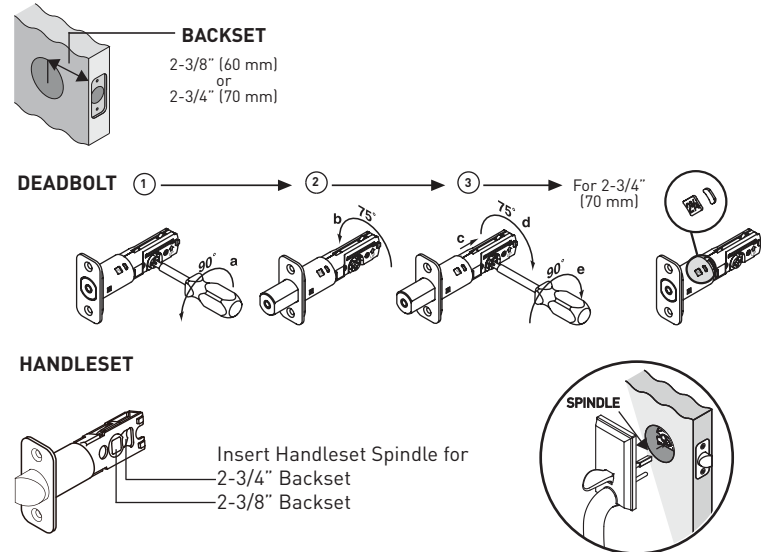
DRIVE-IN



CARE AND MAINTENANCE

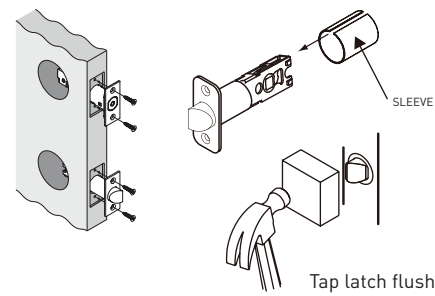
- The following care instructions should be followed to ensure a long lasting finish:
1. Remove locks, or do not install locks, prior to painting your door.
 2. Periodically clean with mild soap and a soft cloth only.
 3. Do not use abrasives or harsh chemicals

4 IF NECESSARY ADJUST LATCH INSTALLATIONS FOR PROPER BACKSET

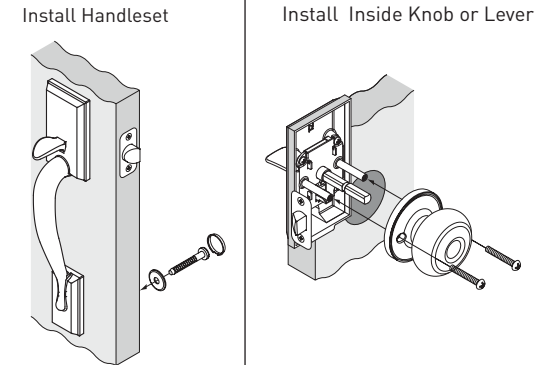


5 INSTALL HANDLESET LATCH AND DEADBOLT

- Place sleeve over handleset latch before installation in square corner or radius corner mortise configuration
- Do not use sleeve for installations in drive-in configuration

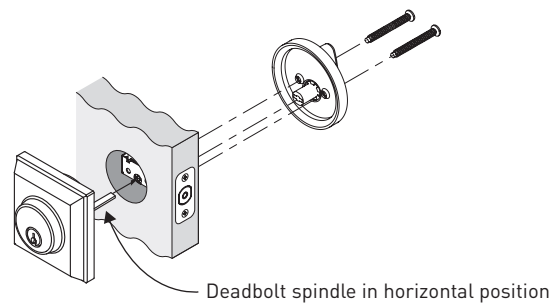


6 INSTALL HANDLESET, INSIDE LEVER OR KNOB



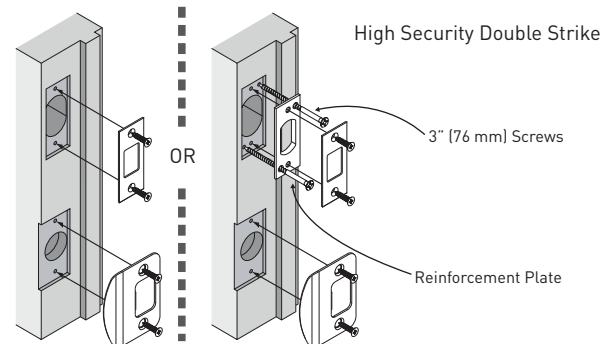
7 (FOR SINGLE CYLINDER FUNCTION) INSTALL OUTSIDE CYLINDER HOUSING AND INTERIOR THUMBTURN

Install outside cylinder, and thumbturn



8 INSTALL STRIKES

Install strikes onto door jamb.



- | | |
|---|---|
| 1. Outside Cylinder | 19. Inside Knob or Lever |
| 2. Deadbolt Latch | 10. 3/4" (19 mm) Latch Screws (4) |
| 3. Thumbturn | 11. Rounded Corner Faceplate |
| 4. 2-5/8" (66 mm) Deadbolt Screws (2) | 12. Handleset |
| 5. 1-1/4" (32 mm) Strike Screws (4) | 13. Handleset Latch |
| 6. 3" (76 mm) Reinforcement Screws (2) | 14. Latch Strike |
| 7. High Security Deadbolt Strike | 15. Screw Cap |
| 8. 1-1/2" (38 mm) Dome Head Knob Screws (2) | 16. 1-5/8" (42 mm) Handleset Post Screw (1) |
| | 17. Washer |
| | 18. 2-Piece Drive-In Collar for Deadbolt Latch |
| | 19. 2-Piece Drive-In Collar for Handleset Latch |

