

EXIT HARDWARE

8500 & 9700 SERIES OUTSIDE THUMBPIECE TRIMS BUILDER PACK



17-ENTPAL
ENTRY



17-STTPAL
STOREROOM



17-PSTPAL
PASSAGE



17-DUPAL
DUMMY

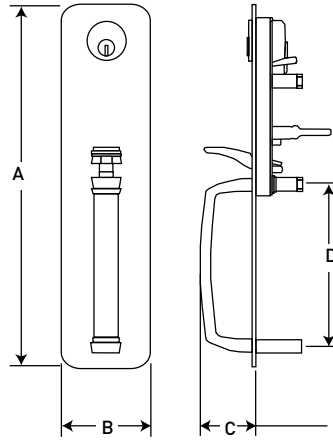
FEATURES

NEW ENHANCEMENTS	MEETS OR EXCEEDS BHMA/ANSI GRADE 1 ULTRA-HEAVY DUTY ACTUATING MECHANISM
COMPATIBILITY	8500 & 9700 SERIES PUSH PAD EXIT DEVICE
FUNCTION	NON-HANDED OUTSIDE THUMBPIECE TRIMS
MATERIAL	HEAVY DUTY CAST ZINC ALLOY FOR HANDLE AND PLATE
FINISHES	ALUMINUM (C28)
MOUNTING PEG	5-1/2" C/C DISTANCE
ESCUTCHEON PLATE SIZE	3" x 12-5/16" x 3/32" (76mm x 312.5mm x 2.5mm)
PROJECTION	25/32" (45mm) MAXIMUM
CYLINDER	RIM CYLINDER WITH 6 PIN SCHLAGE 'C' KEYWAY FOR STOREROOM FUNCTION MORTISE CYLINDER (1-1/8" DEPTH) WITH 6 PIN SCHLAGE 'C' KEYWAY FOR ENTRY FUNCTION
TRIMS/FUNCTIONS	ENTRY*, STOREROOM, PASSAGE AND DUMMY

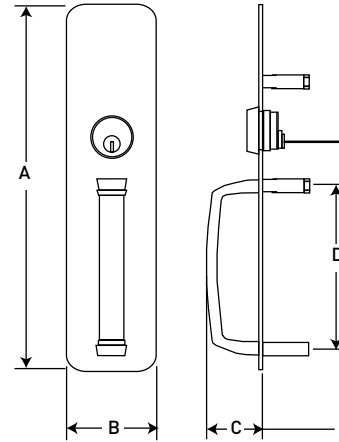
*ENTRY FUNCTION ALSO SERVES AS CLASSROOM FUNCTION

EXIT HARDWARE

8500 & 9700 SERIES OUTSIDE THUMBPIECE TRIMS BUILDER PACK



17-ENTPAL
ENTRY



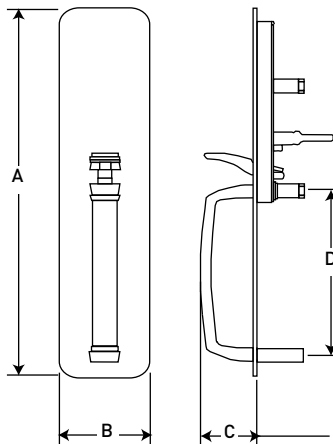
17-STTPAL
STOREROOM

A = 12-5/16" (312.5mm)

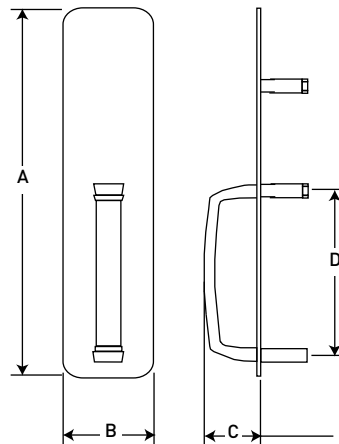
B = 3" (76mm)

C = 1-7/8" (47.5mm)

D = 5-1/2" (139.5mm)



17-PSTPAL
PASSAGE



17-DUPAL
DUMMY

THUMBPIECE OUTSIDE TRIMS

	C28 ALUMINUM	CASE PACK
ENTRY FUNCTION* - SCHLAGE 'C' KEYWAY	17-ENTPAL	10
STOREROOM FUNCTION	17-STTPAL	10
PASSAGE FUNCTION	17-PSTPAL	10
DUMMY FUNCTION	17-DUPAL	10

*ENTRY FUNCTION ALSO SERVES AS CLASSROOM FUNCTION