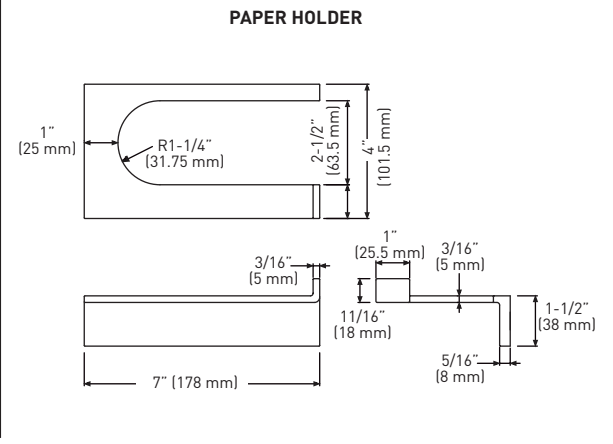
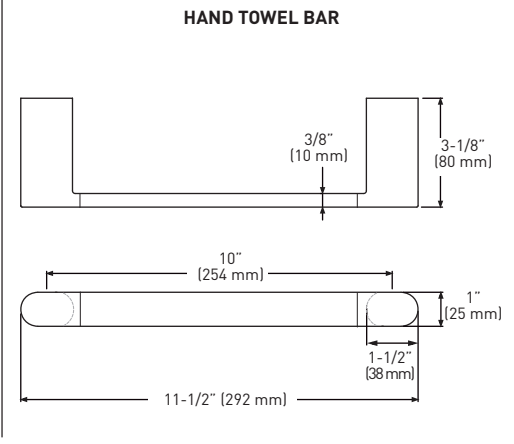
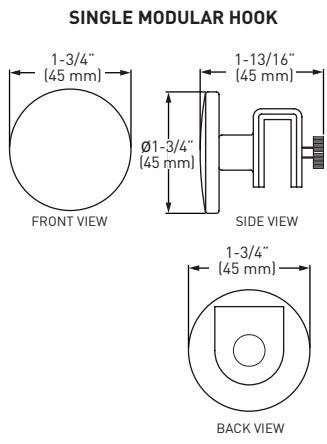
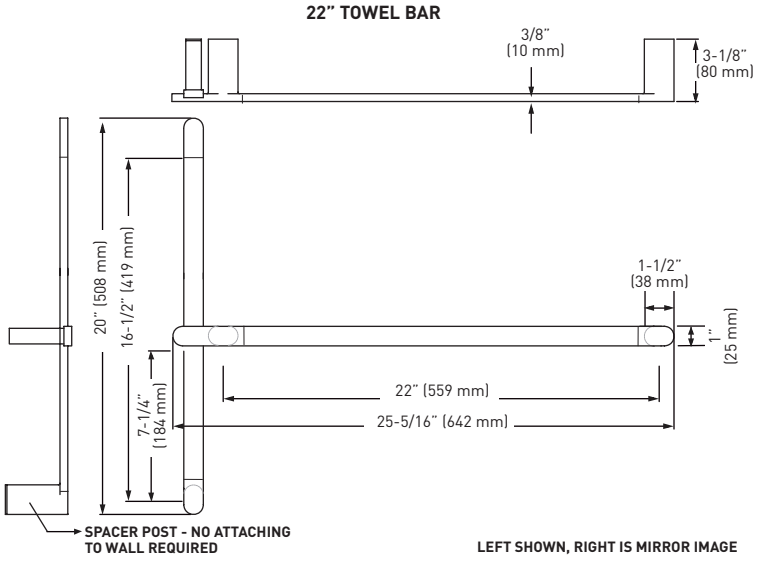
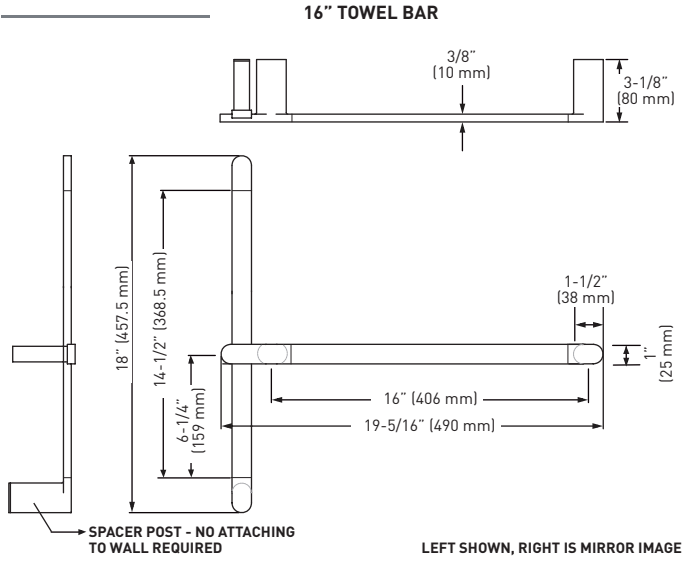


FEATURES

- › MOUNTING PLATES:
- PAPER HOLDER: 5-1/8" x 7/8" x 1/4" (130 mm x 23 mm x 6 mm) - STEEL
- TOWEL BAR: 1-3/8" x 3/4" x 3/4" (34 mm x 21 mm x 20 mm) - ZINC
- › NYLON ANCHORS
- › STEEL PHILLIPS HEAD SCREWS: #8 x 1-1/4" (32 mm)
- › ZINC DIE-CAST CONSTRUCTION (POSTS)
- › ONE PIECE DESIGN (BARS)
- › HORIZONTAL AND VERTICAL BARS TO BE CONNECTED DURING INSTALLATION. (FASTENER AND ALLEN KEY PROVIDED)



MEASUREMENTS SUBJECT TO A 3% VARIANCE
MEASUREMENTS ARE FOR REFERENCE ONLY. TAYMOR RESERVES THE RIGHT TO CHANGE THE PRODUCT SPECS WITHOUT NOTICE. FOR PRODUCT WARRANTY, PLEASE VISIT TAYMOR WEBSITE FOR DETAILS

BUILDER PACK	MATTE BLACK 19	POLISHED CHROME 26	MATERIAL	CASE QTY.
16" TOWEL BAR - LEFT VERTICAL BAR	04-18016LBLK	04-18016L	ZINC/STAINLESS STEEL	4
16" TOWEL BAR - RIGHT VERTICAL BAR	04-18016RBLK	04-18016R	ZINC/STAINLESS STEEL	4
22" TOWEL BAR - LEFT VERTICAL BAR	04-18022LBLK	04-18022L	ZINC/STAINLESS STEEL	4
22" TOWEL BAR - RIGHT VERTICAL BAR	04-18022RBLK	04-18022R	ZINC/STAINLESS STEEL	4
SINGLE MODULAR HOOK	04-18001BLK	04-18001	ZINC	8
HAND TOWEL BAR	04-18010BLK	04-18010	ZINC/STAINLESS STEEL	4
PAPER HOLDER	04-18048BLK	04-18048	ZINC	4

