

INSTALLATION INSTRUCTIONS

17-ENTPAL / 17-PSTPAL 8500/9700 SERIES OUTSIDE THUMB PIECE TRIM

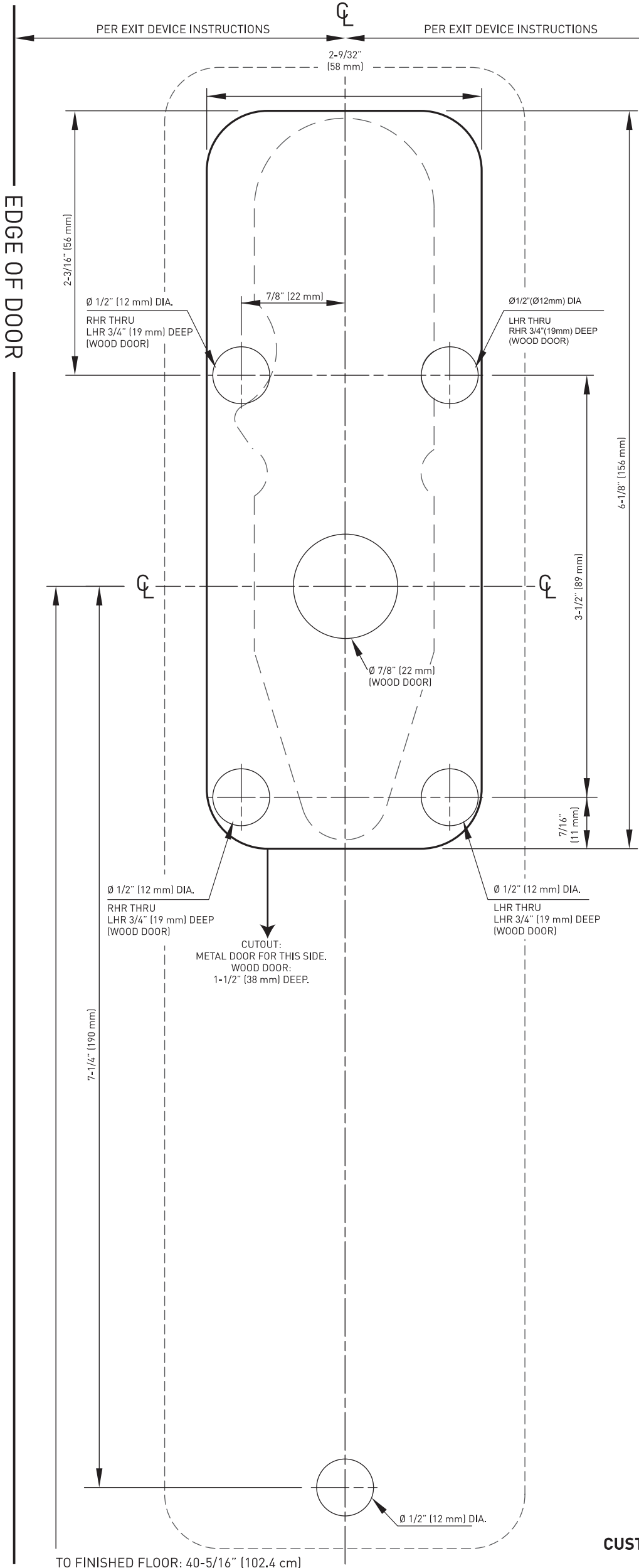
Taymor

Drill the 4 ● holes only as illustrated for RHR preparation.

Drill the 4 ● holes only as illustrated for LHR preparation.

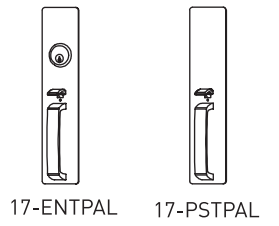
RHR (RIGHT HAND REVERSE)

LHR (LEFT HAND REVERSE)

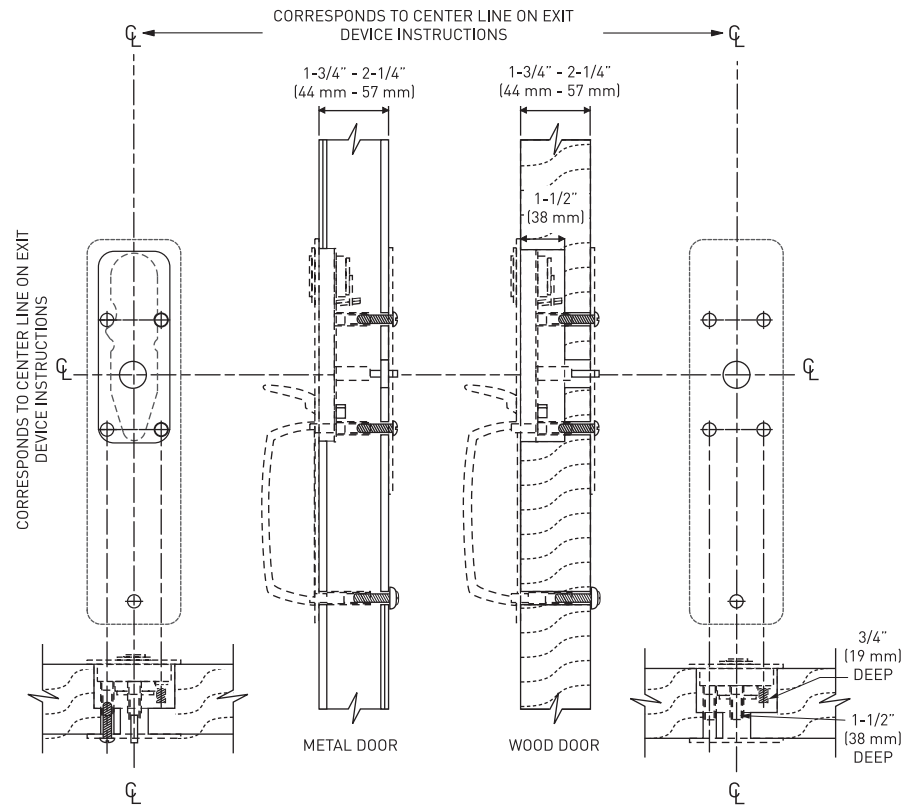


INSTALLATION

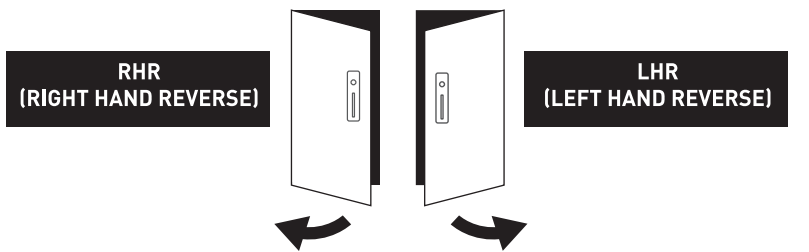
1. Prepare door for exit device. See the exit device instructions.
2. Prepare the door for trim.



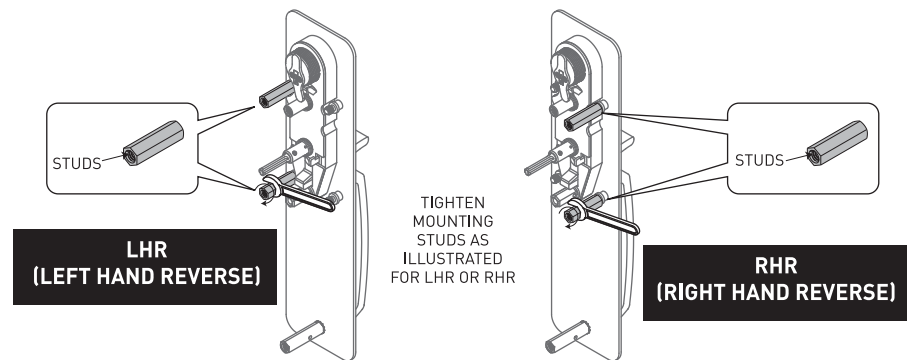
- A. Transfer vertical and horizontal center lines from the inside (exit device side) of door to outside (trim side) of the door. Use extra care if the end of the door is bevelled.



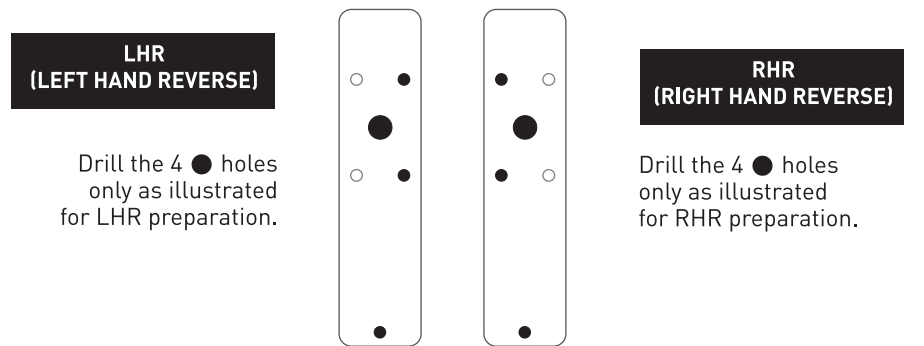
- B. Define the trim for RHR or LHR door installation.



- C. Setting the trim for RHR or LHR by fixing the mounting studs as illustrated.



- D. Locate and prepare the holes according for RHR or LHR door installation.



- E. Apply exit device and thru-bolt to trim and fix screw with washer onto lower trim mounting stud.

