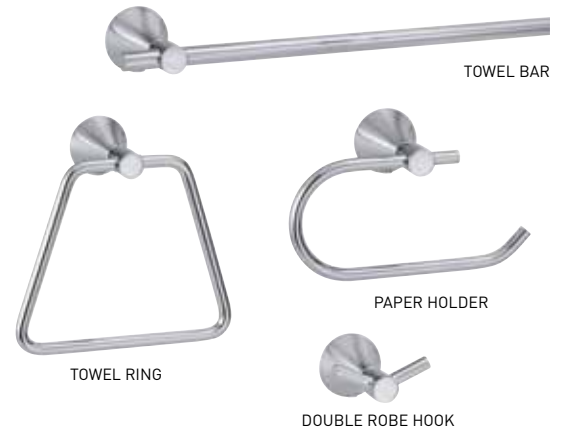
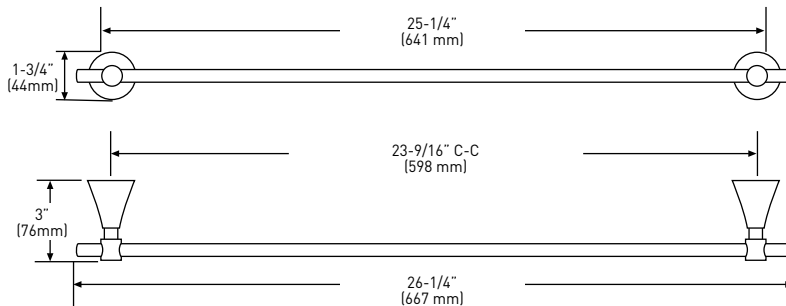


FEATURES

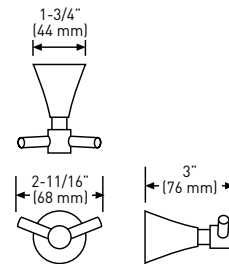
- › INCLUDES SOLID ZINC DIE CAST MOUNTING PLATES: 1-3/16" x 1-3/16" (30 mm x 30 mm); NYLON ANCHORS AND STEEL PHILLIPS HEAD SCREWS: #8 x 1-1/4" (32 mm)
- › ZINC DIE-CAST CONSTRUCTION (POSTS)



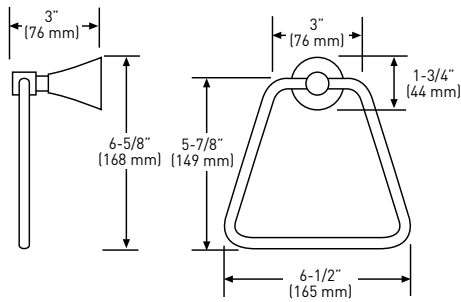
TOWEL BAR



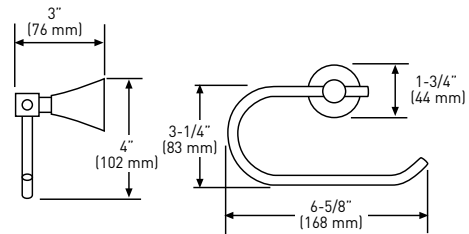
DOUBLE ROBE HOOK



TOWEL RING



PAPER HOLDER/TOWEL HOLDER



RETAIL PACK	POLISHED CHROME 26	MATERIAL	CASE QTY.
TOWEL BAR - 24"	02-D2424	ZINC & BRASS	4
DOUBLE ROBE HOOK	02-D2402	ZINC	4
PAPER HOLDER	02-D2448	ZINC & STEEL	4
TOWEL RING	02-D2404	ZINC & ALUMINUM	4

MEASUREMENTS SUBJECT TO A 3% VARIANCE

MEASUREMENTS ARE FOR REFERENCE ONLY. TAYMOR RESERVES THE RIGHT TO CHANGE THE PRODUCT SPECS WITHOUT NOTICE. FOR PRODUCT WARRANTY, PLEASE VISIT TAYMOR WEBSITE FOR DETAILS

