

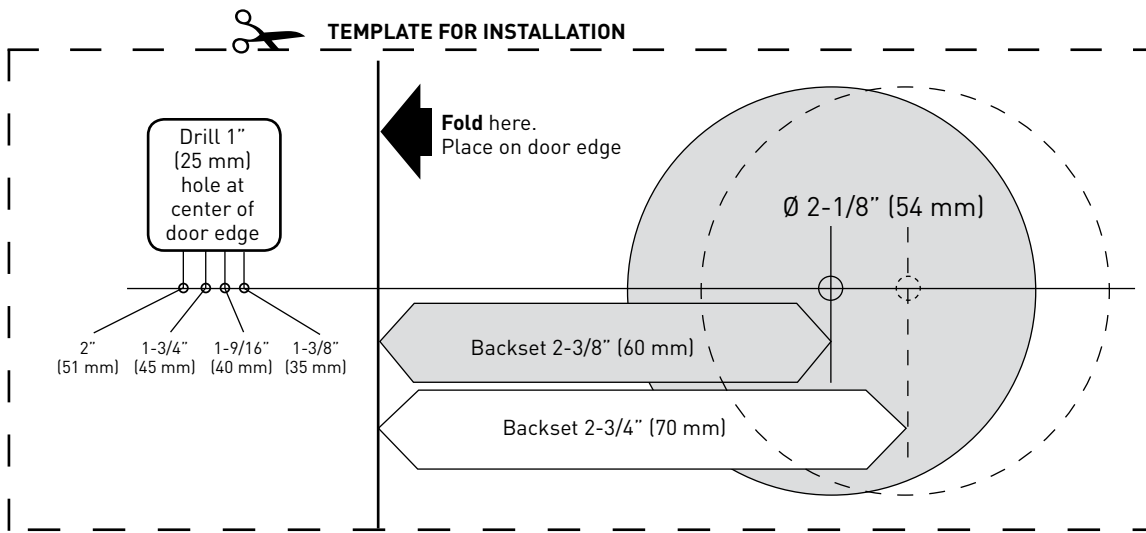
# INSTRUCTIONS FOR PREMIER SQUARE DEADBOLT

## TOOLS NEEDED FOR INSTALLATION ON NEW DOOR:

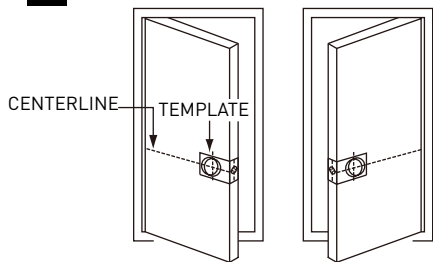
- Pencil
- Chisel
- Tape Measure
- Hammer
- Phillips Screwdriver
- 1" (25 mm) & 1/8" (3 mm) Drill Bits
- 2-1/8" (54 mm) Hole Boring Kit
- Power Drill

Replacing an existing lock? Start at **3.** below.

## TEMPLATE FOR INSTALLATION



### 1. MARK DOOR

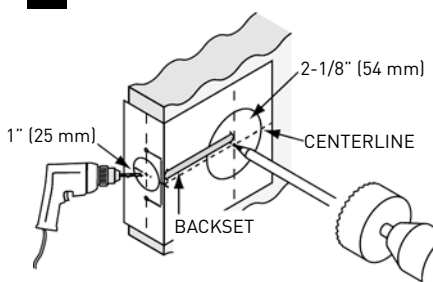


Use template provided to mark holes on the door:

- Fold template over door edge.
- Determine thickness of the door and make center mark for 1" (25 mm) hole.
- Mark the surface of the door for 2-1/8" (54 mm) hole according to desired backset.

**NOTE:** The latch is adjustable for either 2-3/8" or 2-3/4" (60 mm or 70 mm) backset.

### 2. MARK & DRILL HOLES



Drill 1/8" (3 mm) pilot holes as marked in previous step for both 1" (25 mm) and 2-1/8" (54 mm) holes.

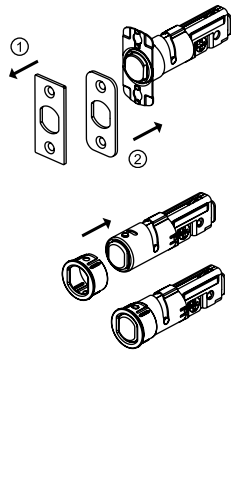
- Drill 2-1/8" (54 mm) hole through door surface. To minimize splitting please drill from both sides.
- Drill 1" (25 mm) hole in the center of door edge through to meet surface hole.

### 3. ASSEMBLE LATCH

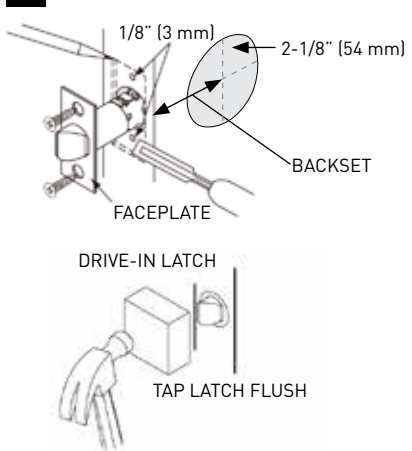
A. To change latch faceplates use flat screwdriver to separate face plate from backplate. Snap selected faceplate back onto backplate.

B. For drive-in installations remove mortise faceplate and backplates. Position drive-in collar as illustrated and snap onto the latch case.

C. Rotate to adjust backset.



### 4. INSTALL LATCH



Make sure the backset of your latch is the same as backset of your door.

A. If installing with mortise faceplate, use faceplate to mark outline and chisel 1/8" (3 mm) deep or until latch face is flush with the door edge.

B. If installing as drive-in, tap in place using block until flush with the door edge.

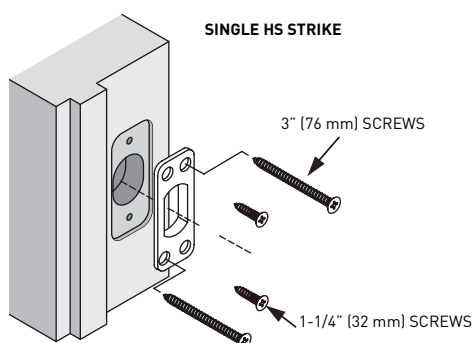
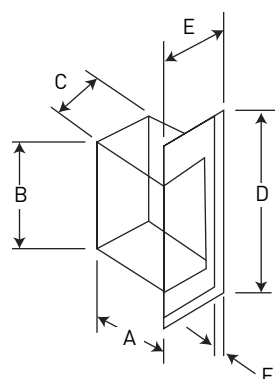
### 5. PREPARE DOOR JAMB AND INSTALL STRIKE (IF NECESSARY)

#### DOOR JAMB HOLE DIMENSIONS

- 1-3/16" (30 mm)
- 1-9/16" (40 mm)
- 1" (25 mm)

#### STRIKE DIMENSIONS

- 2-3/4" (70 mm)
- 1-1/8" (28 mm)
- 3/32" (2.5 mm) - single HS strike

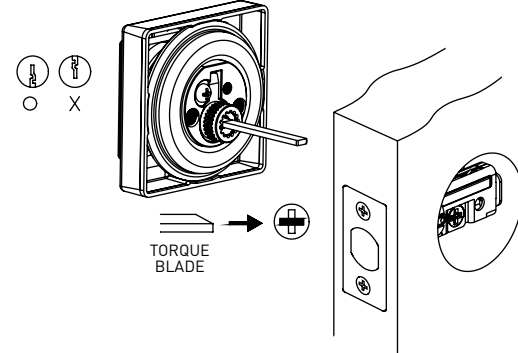


### 6. INSTALL DEADBOLT ON DOOR

(NOTE: For installation into small 1-1/2" (38 mm) hole please see **7.**)

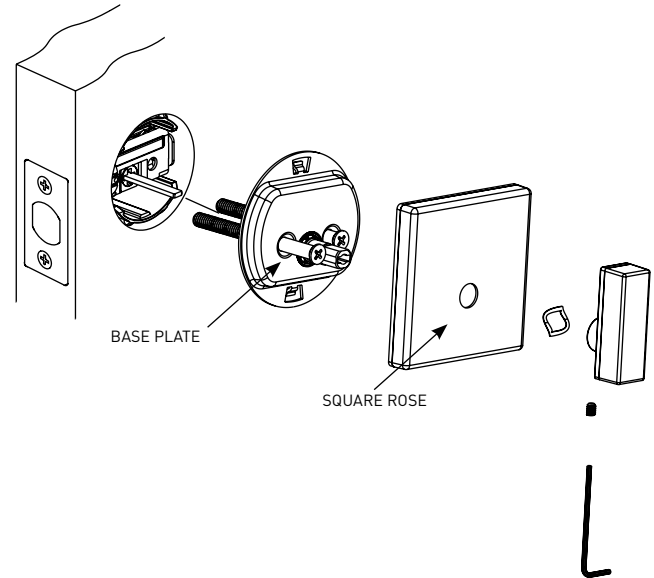
#### A. INSTALL EXTERIOR ASSEMBLY - SINGLE CYLINDER

Tapped holes in housing of exterior cylinder should be lined up with screw holes in the latch. (Key hole should be in down position.)



#### B. INSTALL INTERIOR ASSEMBLY - SINGLE CYLINDER

Align interior base plate with torque blade and assemble on the door using 2-1/2" (64 mm) mounting bolts. Place square rose over the base plate. Secure the turn piece using washer and set screw.

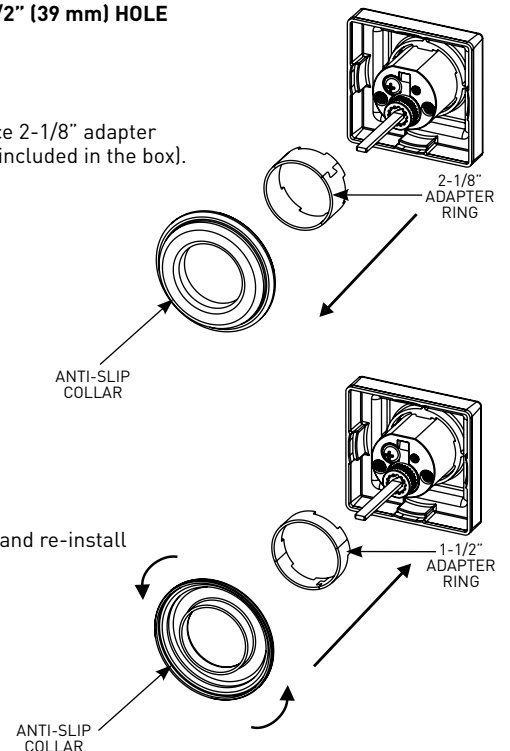


### 7. INSTALL DEADBOLT INTO SMALL 1-1/2" (39 mm) HOLE

A. Take out anti-slip collar and replace 2-1/8" adapter ring with thin 1-1/2" adapter ring (included in the box).

B. Flip anti-slip collar over as shown and re-install into exterior assembly.

C. Repeat step **6.** to install on the door.



### THE FOLLOWING STEPS SHOULD BE OBSERVED TO PROLONG THE FINISH ON YOUR LOCKS

- Do not install locks before doors are painted.
- To avoid oxidation, refrain from using cleansers or acid chemicals to clean or polish.
- Refrain from using heavy or sharp-edged objects to clean locks.

**QUESTIONS:  
CUSTOMER SERVICE**  
WEST 1-800-267-4774  
EAST 1-800-387-7064