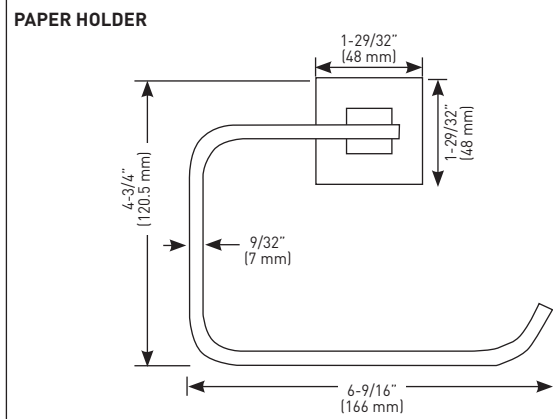
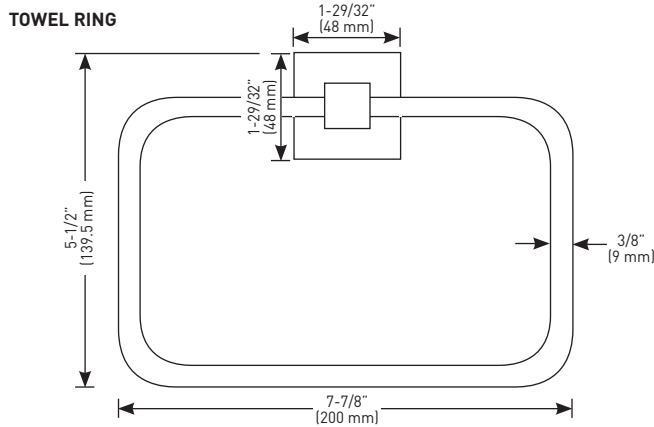
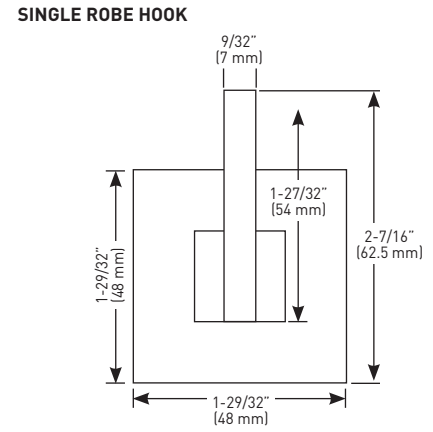
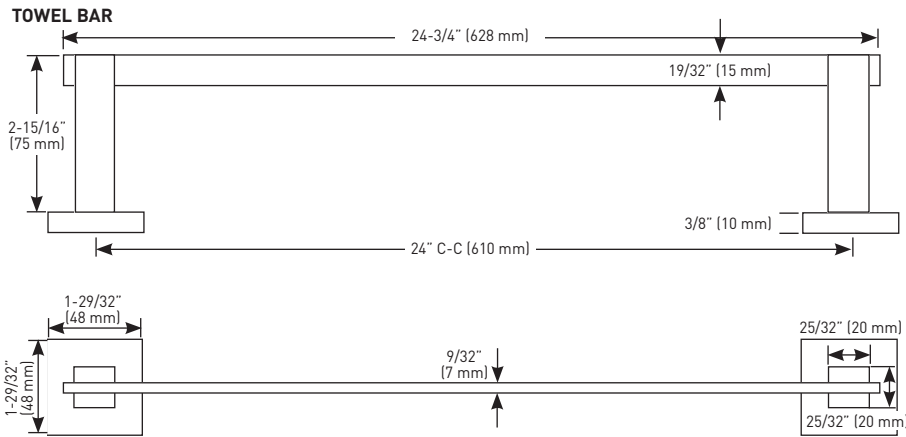
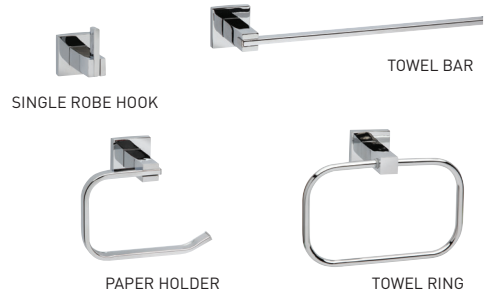


FEATURES

- INCLUDES SOLID ZINC DIE CAST MOUNTING PLATES: 1-13/32" x 1" (36 mm x 26 mm); NYLON ANCHORS AND STEEL PHILLIPS HEAD SCREWS: #8 x 1-1/4" (32 mm)
- ZINC DIE-CAST CONSTRUCTION (POSTS)



VISUAL PACK	POLISHED CHROME 26	MATERIAL	CASE QTY.
24" TOWEL BAR	02-B30950	STAINLESS STEEL	10
SINGLE ROBE HOOK		ZINC	
TOWEL RING		STAINLESS STEEL	
PAPER HOLDER		STAINLESS STEEL	

MEASUREMENTS SUBJECT TO A 3% VARIANCE
 MEASUREMENTS ARE FOR REFERENCE ONLY. TAYMOR RESERVES THE RIGHT TO CHANGE THE PRODUCT SPECS WITHOUT NOTICE. FOR PRODUCT WARRANTY, PLEASE VISIT TAYMOR WEBSITE FOR DETAILS

