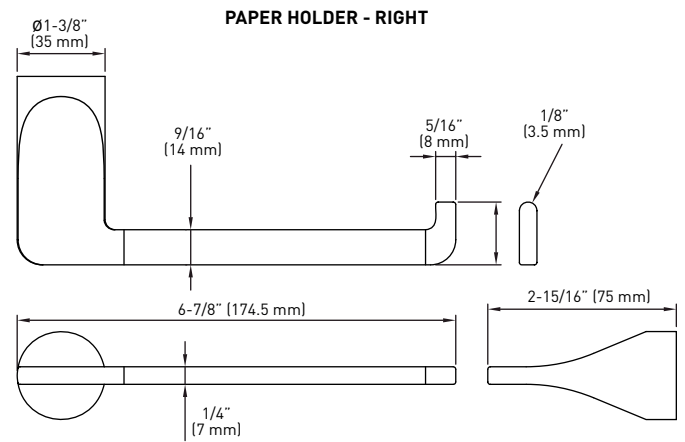
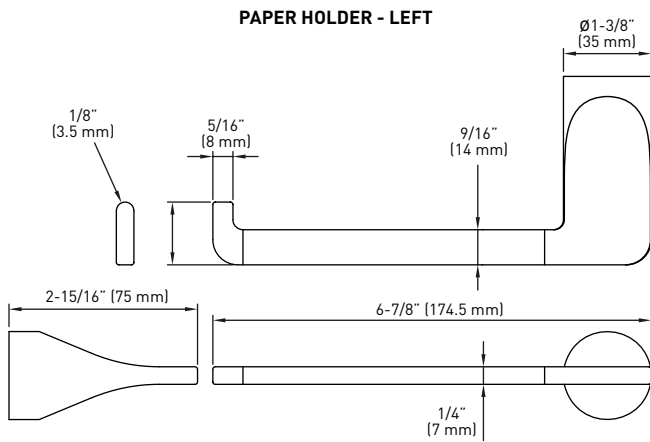
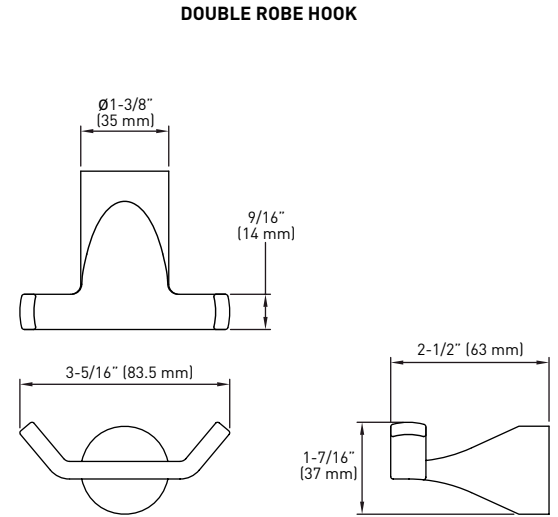
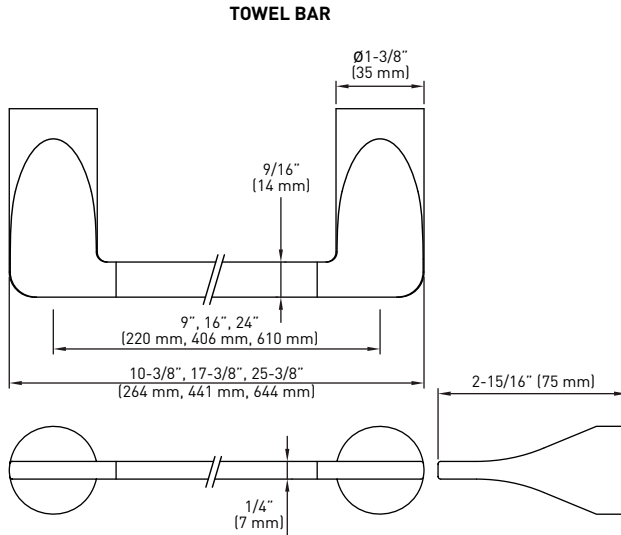


FEATURES

- › INCLUDES MOUNTING PLATES: 1-1/4" x 1" x 1/4" [31 mm x 25.5 mm x 6 mm]; NYLON ANCHORS AND STEEL PHILLIPS HEAD SCREWS: #8 x 1-3/8" [35 mm]
- › ZINC DIE-CAST CONSTRUCTION (POSTS)
- › ONE PIECE DESIGN



MEASUREMENTS SUBJECT TO A 3% VARIANCE

MEASUREMENTS ARE FOR REFERENCE ONLY. TAYMOR RESERVES THE RIGHT TO CHANGE THE PRODUCT SPECS WITHOUT NOTICE. FOR PRODUCT WARRANTY, PLEASE VISIT TAYMOR WEBSITE FOR DETAILS

BUILDER PACK	MATTE BLACK 19	POLISHED CHROME 26	MATERIAL	CASE QTY.
9" HAND TOWEL BAR	04-33409BLK	04-33409	ZINC/STAINLESS STEEL	10
16" TOWEL BAR	04-33416BLK	04-33416	ZINC/STAINLESS STEEL	10
24" TOWEL BAR	04-33424BLK	04-33424	ZINC/STAINLESS STEEL	10
DOUBLE ROBE HOOK	04-33402BLK	04-33402	ZINC	10
PAPER HOLDER - LEFT	04-33448LBLK	04-33448L	ZINC/STAINLESS STEEL	10
PAPER HOLDER - RIGHT	04-33448RBLK	04-33448R	ZINC/STAINLESS STEEL	10

