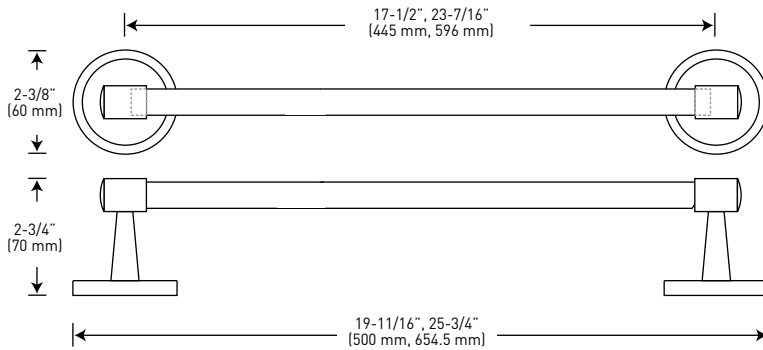


FEATURES

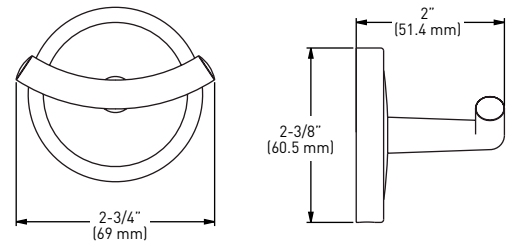
- › INCLUDES SOLID ZINC DIE CAST MOUNTING PLATES: 1-13/16" x 1-3/16" (46 mm x 30 mm); NYLON ANCHORS AND STEEL PHILLIPS HEAD SCREWS: #8 x 1-1/4" (32 mm)
- › ZINC DIE-CAST CONSTRUCTION (POSTS)



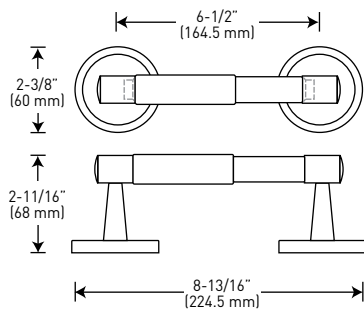
TOWEL BAR



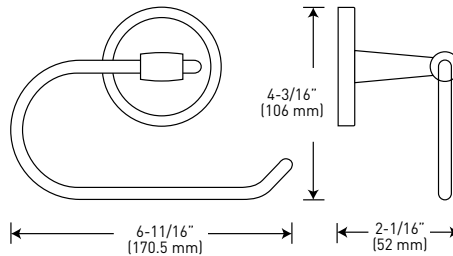
DOUBLE ROBE HOOK



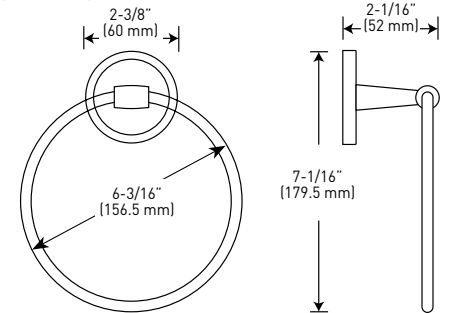
A - PAPER HOLDER



B - PAPER HOLDER



TOWEL RING



RETAIL PACK	POLISHED CHROME 26	MATERIAL	CASE PACK
18" TOWEL BAR	02-D20418	STAINLESS STEEL	W4
24" TOWEL BAR	02-D20424	STAINLESS STEEL	4
DOUBLE ROBE HOOK	02-D20402	ZINC	4
TOWEL RING	02-D20404	STAINLESS STEEL	4
A - PAPER HOLDER	02-D20408	ZINC/PLASTIC	4
B - PAPER HOLDER	02-D20448	STAINLESS STEEL	4

MEASUREMENTS SUBJECT TO A 3% VARIANCE
MEASUREMENTS ARE FOR REFERENCE ONLY. TAYMOR RESERVES THE RIGHT TO CHANGE THE PRODUCT SPECS WITHOUT NOTICE. FOR PRODUCT WARRANTY, PLEASE VISIT TAYMOR WEBSITE FOR DETAILS

